

FEATURES:

- Designed for long haul Gigabit Ethernet 2.5G Base-T, full duplex applications
- Supports 4 pairs of category 5 UTP cable
- Cable interface for isolation and low common mode emissions
- Compliant with IEEE 802.3an standard.
- Meet IEEE 802.3af standards with 350mA
- Meet IEEE 802.3at standards with 720mA
- Meet IEEE 802.3bt standards with 1A
- Recognized by UL 60950-1



YUAN DEAN SCIENTIFIC



LAN Filters

PoE 2.5G SERIES

2.5G Base-T

PoE & PoE+

24PIN SMD



ELECTRICAL SPECIFICATIONS@25°C

Operating temperature 0°C to 70°C

Part Number	Insertion Loss (dB max)		Return Loss (dB min @100 Ω)		CDMR (dB TYP)	Crosstalk (dB TYP)	CMR (dB TYP)	POE Current	Hipot (Vrms min)
	1-50 MHz	50-125 MHz	1-40 MHz	40-200 MHz	10-125 MHz	1-125 MHz	30-200 MHz		
15FB-12BNL	-0.5	-1.0	-20	-20+15log(f/40MHz)	-45+f/35	-39	-30	350mA	1500
15FB-13NL	-0.5	-1.0	-20	-20+15log(f/40MHz)	-45+f/35	-39	-30	720mA	1500
15FB-13ANL	-0.5	-1.0	-20	-20+15log(f/40MHz)	-45+f/35	-39	-30	1A	1500

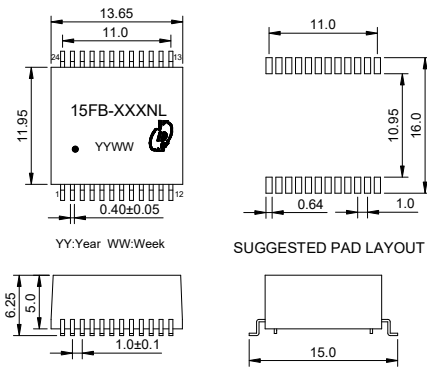
www.yds.com.tw


TEL : 886-6-3842899 FAX : 886-6-3843288
E-MAIL : ydsweb@yds.com.tw

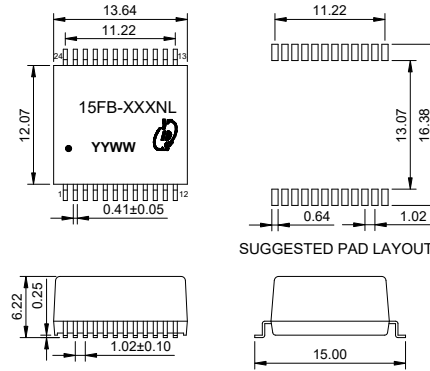
Rev: 1 2020/09/15

Mechanicals and Dimensions

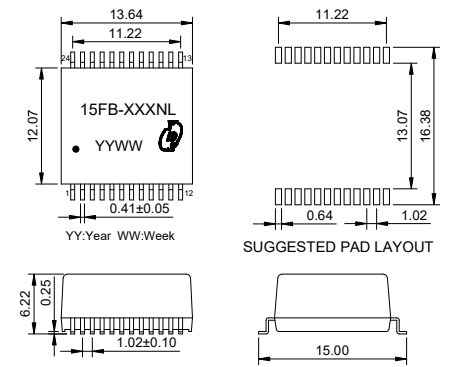
15FB-12BNL



15FB-13NL



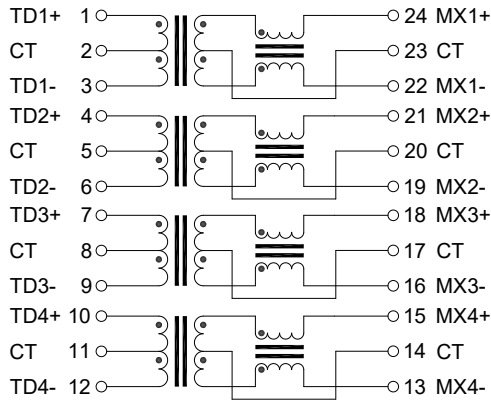
15FB-13ANL



UNIT: mm Unless otherwise specified, all tolerances are ±0.25

Schematics

15FB-12BNL



15FB-13NL&15FB-13ANL

