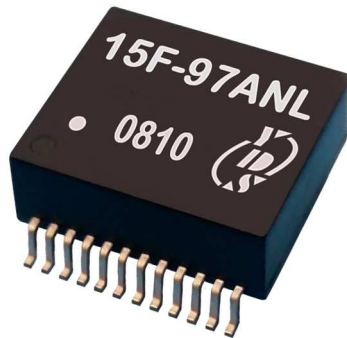


FEATURES:

- Designed for long haul Gigabit Ethernet 10G Base-T, full duplex applications
- IEEE 802.3af&at/ANSI X3.263 compliant performance
- Suitable for End-span and Mid-span PoE applications
- 350&600mA current capability
- Designed for IP phone or switch applications
- Compact footprint
- Designed to withstand IR reflow temperatures up to 235°C
- Recognized by UL 60950-1



YUAN DEAN SCIENTIFIC



LAN Filters

PoE 15FB-10G SERIES

10G Base-T

PoE & PoE+

SMD



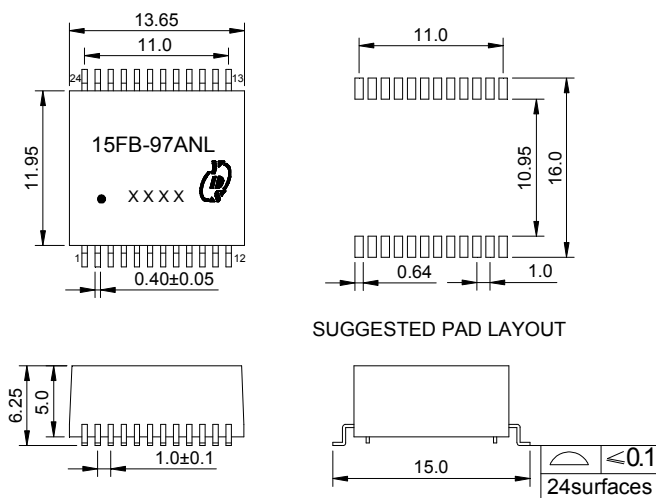
ELECTRICAL SPECIFICATIONS@25°C

Operating temperature 0°C TO 70°C

| Part Number | Insertion Loss (dB TYP) | Return Loss (dB min @100 Ω) | | Common to Differential Mode Rejection (dB TYP) | | Crosstalk (dB TYP) | | Hipot (V _{rms} min) |
|-------------|-------------------------|-----------------------------|---------------------|--|-----------|--------------------|-----------|------------------------------|
| | | 1- 500 MHz | 1- 40 MHz | 40-500 MHz | 1-250 MHz | 250-500 MHz | 1-100 MHz | |
| 15FB-97ANL | -1.2 | -23 | -13+30log(f/400MHz) | -30 | -25 | -40 | -30 | 1500 |
| 15FB-97BNL | -2.0 | -18 | -17+10log(f/40MHz) | -30 | -20 | -40 | -30 | 1500 |
| 15FB-97CNL | -1.2 | -18 | -17+10log(f/40MHz) | -30 | -22 | -40 | -30 | 1500 |

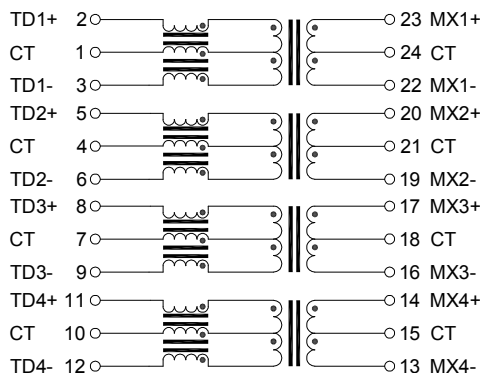
Mechanicals

15FB-97

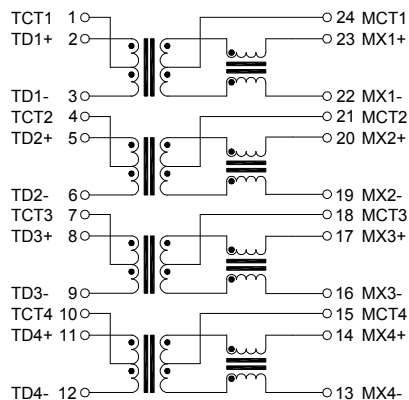


Schematics

15FB-97A



15FB-97B



15FB-97C

