

## FEATURES:

- 2X4 RJ45 with internal magnetics
- Suitable for CAT 5 & 6 Fast Ethernet Cable or better UTP
- Internal magnetics are 100% electrically tested for HI-POT and functionality
- 350  $\mu$ H minimum OCL with 8 mA bias current



## YUAN DEAN SCIENTIFIC



RJ45 Jack

74F SERIES

With Magnetics

2 x 4 Port

10/100/1000 Base-Tx

TAB Up &amp; Down



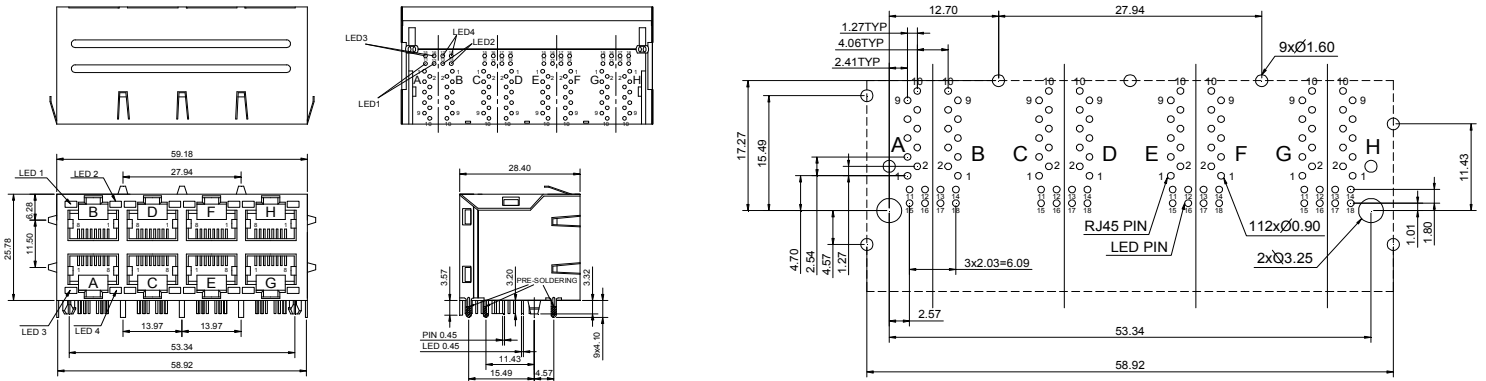
## ELECTRICAL SPECIFICATIONS@25°C

Operating temperature 0°C TO 70°C

Part Number	Turns Ratio		Insertion Loss (dB MAX)	Return Loss (dB MIN) 100 $\Omega$ ±15 $\Omega$				Crosstalk (dB MIN)	Common Mode Rejection (dB MIN)	Hipot (Vrms)
	TX	RX		1-100MHz	1-30 MHz	30-60 MHz	60-80 MHz			
74F-4010GYD2NL	1CT:1CT	1CT:1CT	-1.0	-18	-14	-14	-10	-30	-30	1500



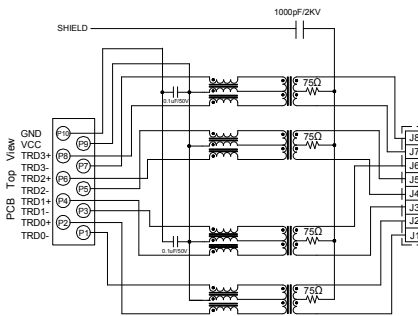
Mechanical and Dimension



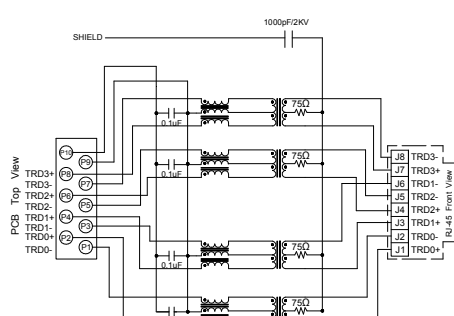
PC Board Layout Component Side Shown

Schematics

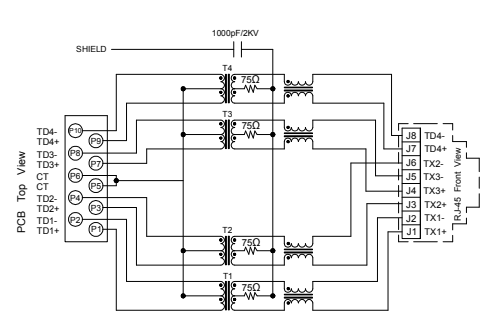
74F-4002



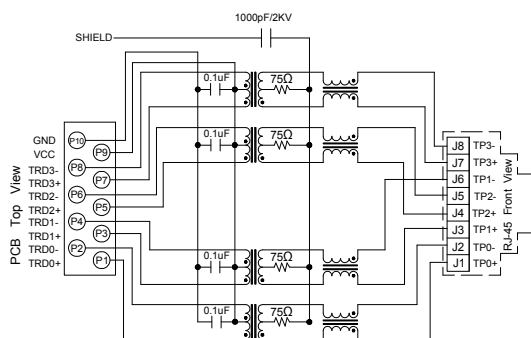
74F-4003



74F-4004



74F-4005



74F-4010

