

## FEATURES:

- Reduces radiated EMI emissions
- Filters common mode noise for EMI reduction
- Common mode attenuation from 100KHz to 1 GHz
- Recognized By UL 60950-1

YUAN DEAN SCIENTIFIC



Surface Mount  
Common Mode Choke  
71T/73T/77T/79T SERIES

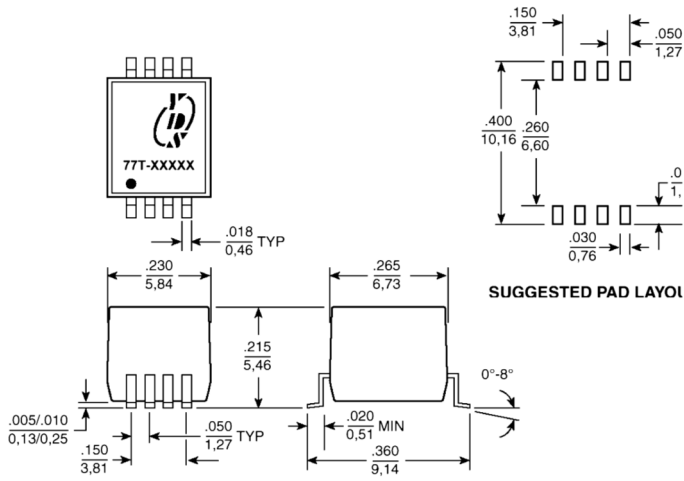


## ELECTRICAL SPECIFICATIONS@25°C-OPERATING TEMPERATURE 0°C TO 70°C

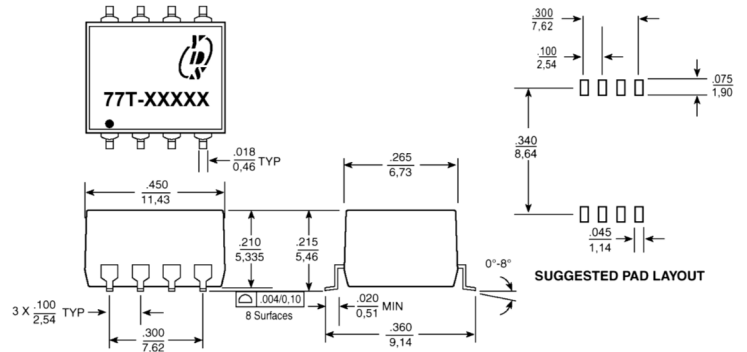
Part Number	No. of Lines	Primary Inductance OCL ( $\mu$ H MIN)	Common Mode Attenuation (dB TYP)									DCR ( $\Omega$ MAX)	Package Schematic
			100KHz	1MHz	10MHz	30MHz	50MHz	100MHz	300MHz	500MHz	1GHz		
73T-370SANL	4	37	8	21	28	28	28	27	25	22	-	0.35	16S-A
77T-225LANL	4	22.5	7	20	30	37	38	34	24	13	-	0.20	8L-A
79T-472LANL	4	4700	40	51	38	30	25	20	14	13	-	1.00	10L-A

Mechanicals and Dimensions

8S

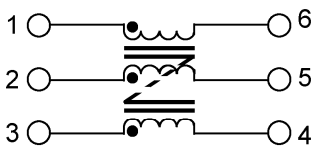


8M

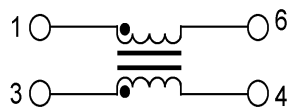


Schematics

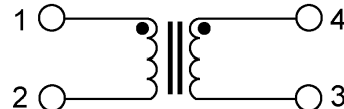
6-A



6-B



6-C



6-D

