

FEATURES:

- 2X1 RJ45 with internal magnetics
- Suitable for CAT 5 & 6 Fast Ethernet Cable or better UTP
- Internal magnetics are 100% electrically tested for HI-POT and functionality
- 350 μ H minimum OCL with 8 mA bias current
- Recognized by UL 60950-1



YUAN DEAN SCIENTIFIC



RJ45 Jack 71F SERIES

With Magnetics

2 x 1 Port

10/100/1000 Base-Tx

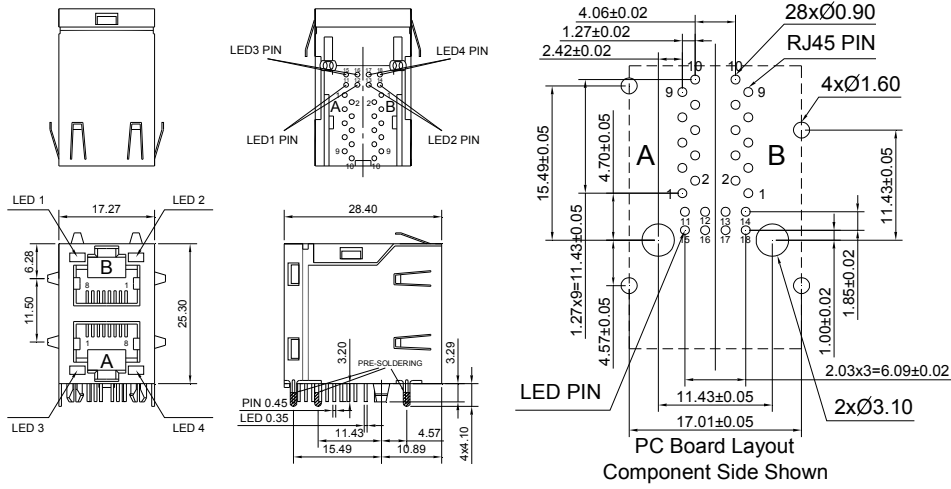
TAB Up & Down



ELECTRICAL SPECIFICATIONS@25°C Operating temperature 0°C TO 70°C

Part Number	Turns Ratio		Insertion Loss (dB MAX)		Return Loss (dB MIN) 100 Ω ±15 Ω		Crosstalk (dB TYP)	Common Mode Rejection (dB TYP)	Hipot (Vrms)
	TX	RX	1-80 MHz	100 MHz	1-60 MHz	60-100 MHz	1-100 MHz	1-100 MHz	@60Hz
71F-1210GYD2NL	1CT:1CT	1CT:1CT	-1.0	-1.2	-16	-12	-35	-30	1500
71F-1327YGD2NL	1CT:1CT	1CT:1CT	-	-1.0	-18	-10	-30	-30	1500

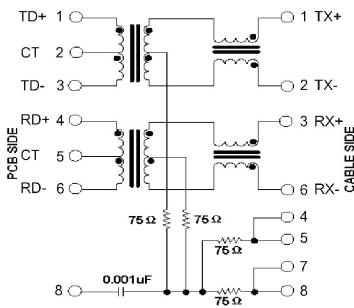
Mechanical and Dimension



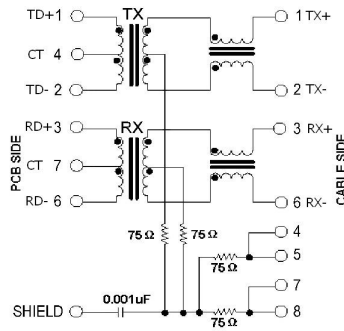
UNIT:mm Unless otherwise specified, all tolerances are ± 0.25

Schematics

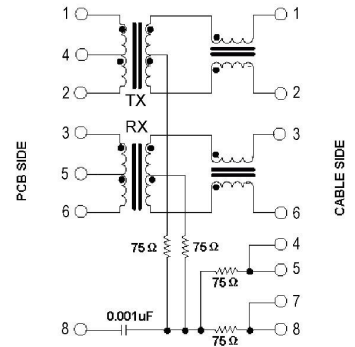
71F-1202



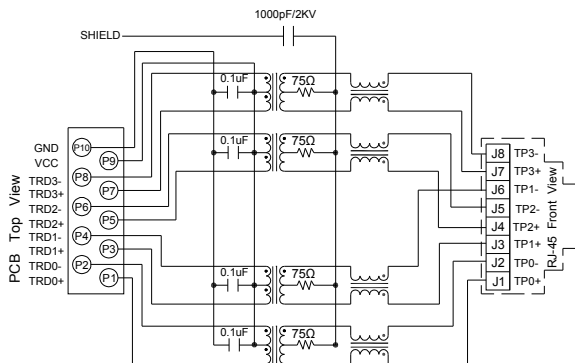
71F-1203



71F-1210



71F-1327



71F-1342

