

## FEATURES:

- 1X1 Tab-UP, 1" Long RJ45 with internal magnetics
- 16pin signal pin versions available
- Available with LEDs
- Suitable for CAT 5 & 6 Fast Ethernet Cable or better UTP
- Internal magnetics are 100% electrically tested for HI-POT and functionality
- Meet IEEE 802.3af standards with 350mA
- Meet IEEE 802.3at standards with 600mA
- Meet IEEE 802.3bt standards with 1A

YUAN DEAN SCIENTIFIC



## RJ45 Integrated Jack

### 56F(10G PoE) SERIES

With Magnetics

Single Port

10G Base-T

PoE &amp; PoE+

TAB Up



### ELECTRICAL SPECIFICATIONS@25°C

Operating temperature 0°C TO 70°C

Part Number	Turns Ratio (±5%)	LEDs	Insertion Loss (dB MAX)	Return Loss (dB MIN)				Crosstalk (dB TYP)		CDMR (dB TYP)		Hipot (Vrms) @60Hz	POE Current
		L/R		1-100 MHz	100-200 MHz	200-400 MHz	400-500 MHz	1-100 MHz	100-500 MHz	1-250 MHz	250-500 MHz		
56F-16061DDD2NL	1CT:1CT	Y&G / G&Y	-2.0	-13	-10	-7	-6	-40	-30	-30	-22	1500	350mA
56F-16062DDD2NL	1CT:1CT	Y&G / G&Y	-2.0	-13	-10	-7	-6	-40	-30	-30	-22	1500	600mA

[www.yds.com.tw](http://www.yds.com.tw)

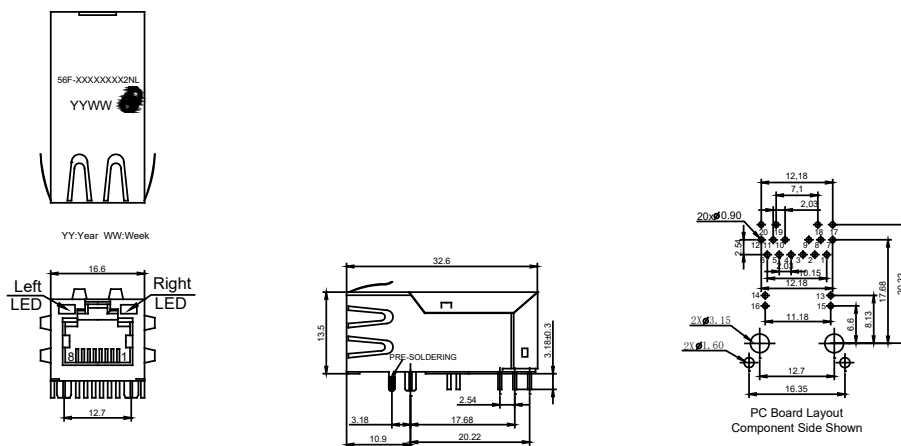

TEL : 886-6-3842899 FAX : 886-6-3843288  
E-MAIL : ydsweb@yds.com.tw

Rev: 1 2020/09/15

**ELECTRICAL SPECIFICATIONS@25°C**  
**Operating temperature -40°C to 85°C**

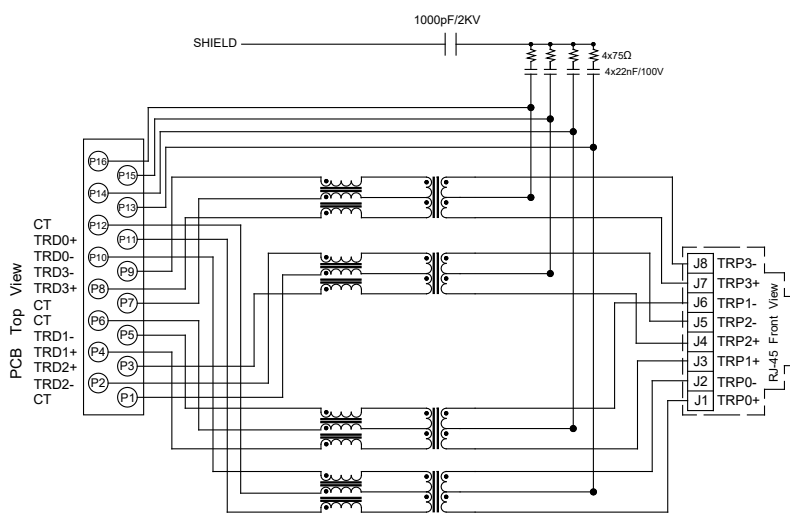
Part Number	Turns Ratio (±5%)	LEDs	Insertion Loss (dB MAX)	Return Loss (dB TYP)		Crosstalk (dB MIN)		CMR (dB MIN)			CDMR (dB MIN)		Hipot (VDC) @60Hz	POE Current
		L/R		1-400 MHz	1-100 MHz	100-500 MHz	1-100 MHz	100-500 MHz	1-100 MHz	100-300 MHz	300-500 MHz	1-250 MHz		
56F-1606GGDZ2NL	1CT: 1CT	G/G	-2.0	-22	-22+18.27log(f/100MHz)	-28	-19	-35	-30	-25	-30	-22	2250	1A

**Mechanical and Dimension**



UNIT:mm Unless otherwise specified, all tolerances are ±0.25

**Schematics**



56F-1606XXXX