

FEATURES:

- 1X1 Tab-UP, 1" Long RJ45 with internal magnetics
- 16pin signal pin versions available
- Available with LEDs
- Suitable for CAT 5 & 6 Fast Ethernet Cable or better UTP
- Internal magnetics are 100% electrically tested for HI-POT and functionality
- Meet IEEE 802.3af standards with 350mA
- Meet IEEE 802.3at standards with 720mA



YUAN DEAN SCIENTIFIC



RJ45 Integrated Jack

56F(5G PoE) SERIES

With Magnetics

Single Port

5G Base-T

PoE & PoE+

TAB Up



ELECTRICAL SPECIFICATIONS@25°C

Operating temperature 0°C to 70°C

Part Number	Turns Ratio (±3%)	LEDs	Insertion Loss (dB MAX)		Return Loss (dB MIN)		Crosstalk (dB TYP)		CDMR (dB TYP)	CMR (dB TYP)	Hipot (Vrms)	POE Current
		L/R	1-125 MHz	125-250 MHz	1-40 MHz	40-250 MHz	1-125 MHz	125-250 MHz	10-250 MHz	30-250 MHz	@60Hz	
56F-2001DGD2NL	1CT:1CT	G&Y/ G	-1.0	-1.5	-20	$-20+15\log_{10}(f/40\text{MHz})$	-30	-25	$-45+f/35\text{dB}$	-30	2250	350mA
56F-20012DGD2NL	1CT:1CT	G&Y/ G	-1.0	-1.5	-20	$-20+15\log_{10}(f/40\text{MHz})$	-30	-25	$-45+f/35\text{dB}$	-30	2250	720mA

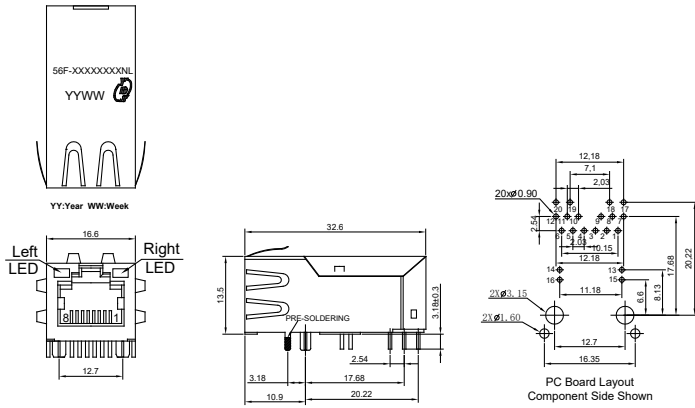


ELECTRICAL SPECIFICATIONS@25°C
Operating temperature -40°C to 85°C

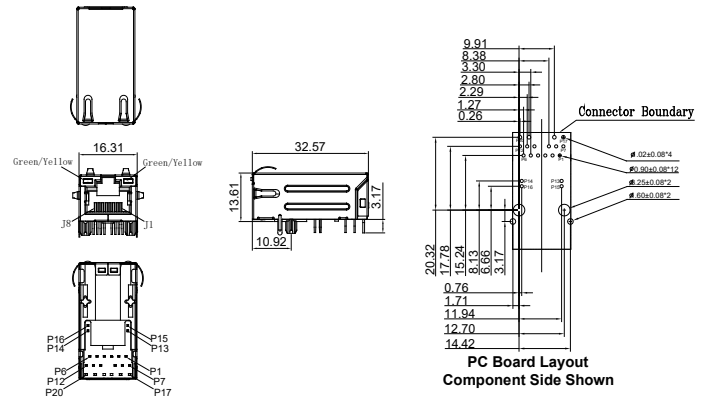
Part Number	Turns Ratio (±3%)	LEDs	Insertion Loss (dB MIN)			Return Loss (dB MIN)		Crosstalk (dB MIN)	CMR (dB MIN)			Hipot (VDC)	DCMR (dB MIN)	POE Current
		L/R	1-125 MHz	50-125 MHz	125-250 MHz	1-40 MHz	40-250 MHz	1-250 MHz	1-40 MHz	40-100 MHz	100-250 MHz	@60Hz	1-250 MHz	
56F-2001DDDZ2NL	1CT:1CT	G/Y & G/Y	-0.5	-1.2	-2.0	-16	-16+10log ₁₀ (f/40MHz) 40<f≤250	-30	-30	-28	-26	2250	-30	720mA

Mechanical and Dimension

56F-2001DGD2NL&56F-20012DGD2NL



56F-2001DDDZ2NL



UNIT:mm Unless otherwise specified, all tolerances are ±0.25

Schematics

56F-2001XXXX

