

FEATURES:

- 1X1 Tab-UP, 1" Long RJ45 with internal magnetics
- 12pin signal pin versions available
- Available with LEDs
- Suitable for CAT 5 & 6 Fast Ethernet Cable or better UTP
- Internal magnetics are 100% electrically tested for HI-POT and functionality



YUAN DEAN SCIENTIFIC



RJ45 Jack
56F(2.5G) SERIES

With Magnetics

2.5G Base-T

TAB Up

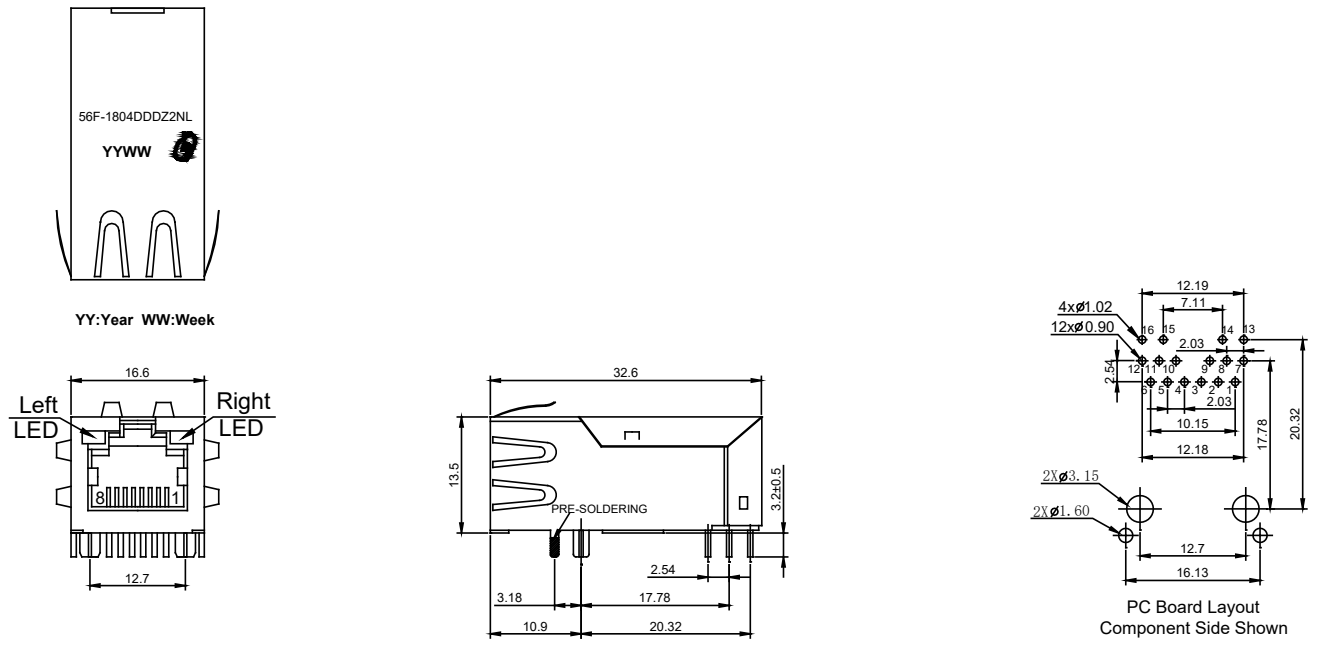


ELECTRICAL SPECIFICATIONS@25°C
Operating temperature -40°C to 85°C

Part Number	Turns Ratio (±3%)	LEDs L/R	Insertion Loss (dB MAX)	Return Loss (dB Min)		Crosstalk (dB TYP)		CDMR (dB TYP)				CMR (dB TYP)			DCMR (dB TYP)		Hipot (Vrms) @60Hz
				1-200 MHz	1-40 MHz	40-200 MHz	1-125 MHz	125-200 MHz	1 MHz	50 MHz	100 MHz	200 MHz	1-50 MHz	125 MHz	200 MHz	10 MHz	
56F-1804DDDZ2NL	1CT:1CT	G&O/ G&O	-2.0	-20	-20+15log(f/40MHz)	-30	-25	-30	-30	-27	-24	-35	-30	-27	-48	-48+19log(f/10MHz)	1500



Mechanical and Dimension



UNIT:mm Unless otherwise specified, all tolerances are ± 0.25

Schematics

