

FEATURES:

- 1X1 Tab-UP, 1" Long RJ45 with internal magnetics
- 16pin signal pin versions available
- Available with LEDs
- Suitable for CAT 5 & 6 Fast Ethernet Cable or better UTP
- Internal magnetics are 100% electrically tested for HI-POT and functionality

YUAN DEAN SCIENTIFIC



RJ45 Jack
56F(10G) SERIES

With Magnetics

10G Base-T

TAB Up



ELECTRICAL SPECIFICATIONS@25°C
Operating temperature 0°C to 70°C

Part Number	Turns Ratio (±3%)	LEDs	Insertion Loss (dB MAX)		Return Loss (dB MIN)				Crosstalk (dB TYP)		DCMR (dB TYP)		Hipot (Vrms)
		L/R	1-100 MHz	100-400 MHz	1-100 MHz	100-200 MHz	200-400 MHz	400-500 MHz	1-100 MHz	100-500 MHz	1-250 MHz	250-500 MHz	@60Hz
56F-1602DGD2NL	1CT:1CT	G&Y / G	-2.0	-3.0	-13	-10	-7	-6	-28	-19	-30	-22	1500
56F-1604DGD2NL	1CT:1CT	G&Y / G	-2.0	-3.0	-13	-10	-7	-6	-28	-19	-30	-22	1500

ELECTRICAL SPECIFICATIONS@25°C
Operating temperature -40°C to 85°C

Part Number	Turns Ratio (±3%)	LEDs	Insertion Loss (dB MAX)	Return Loss (dB TYP)	Crosstalk (dB TYP)		CMR (dB TYP)		Hipot (Vrms)	
		L/R	1-400 MHz	1-40 MHz	1-100 MHz	100-500 MHz	1-250 MHz	250-500 MHz	@60Hz	
56F-1601DGDZ2NL	1CT:1CT	G&Y / G	-2.0	-22	-17+18.27log(f/100MHz)	-30	-20	-30	-22	1500

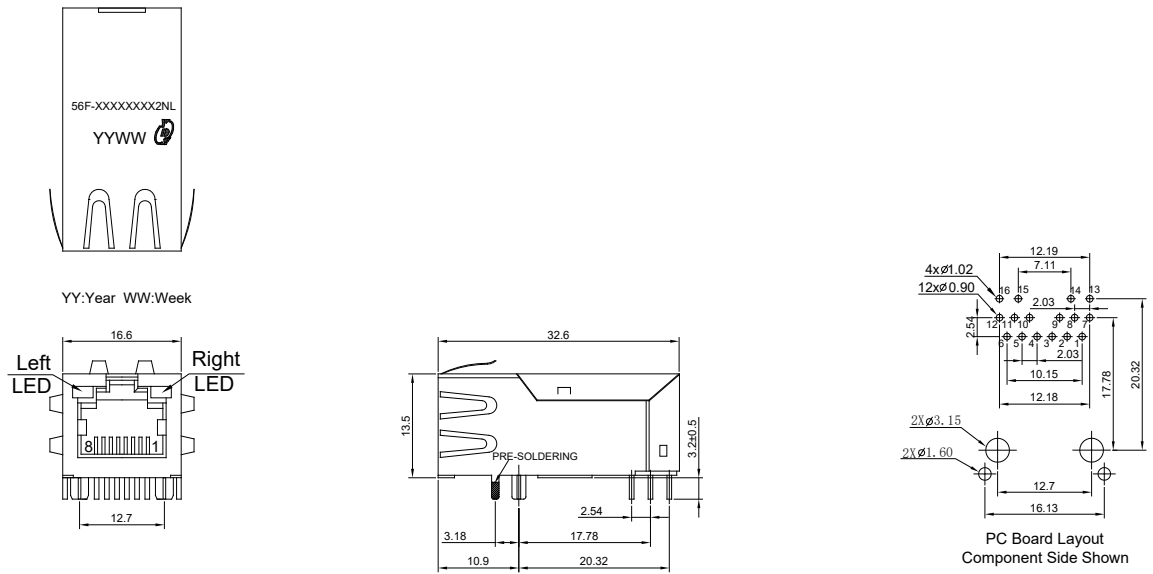
www.yds.com.tw



TEL : 886-6-3842899 FAX : 886-6-3843288
E-MAIL : ydsweb@yds.com.tw

Rev: 1 2020/09/15

Mechanical and Dimension



UNIT:mm Unless otherwise specified, all tolerances are ±0.25

Schematics

