

FEATURES:

- Magnetic designs to support every PHY
- Meet or exceed IEEE 802.3 and ANSI X3.263 standards including 350uH min OCL with 8mA bias
- Minimum 1500Vrms isolation per IEEE 802.3 requirement

YUAN DEAN SCIENTIFIC



RJ45 Jack 51F/53F SERIES

With Magnetics
10/100 Base-T
TAB Up
Vertical (180°)



ELECTRICAL SPECIFICATIONS@25°C Operating temperature 0°C TO 70°C

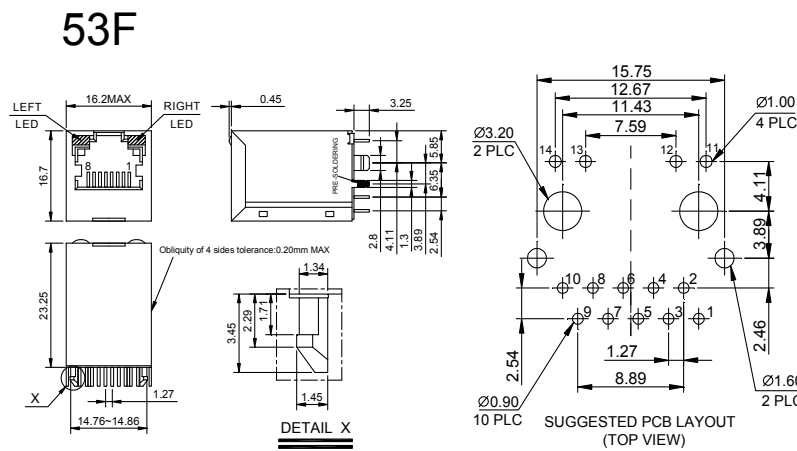
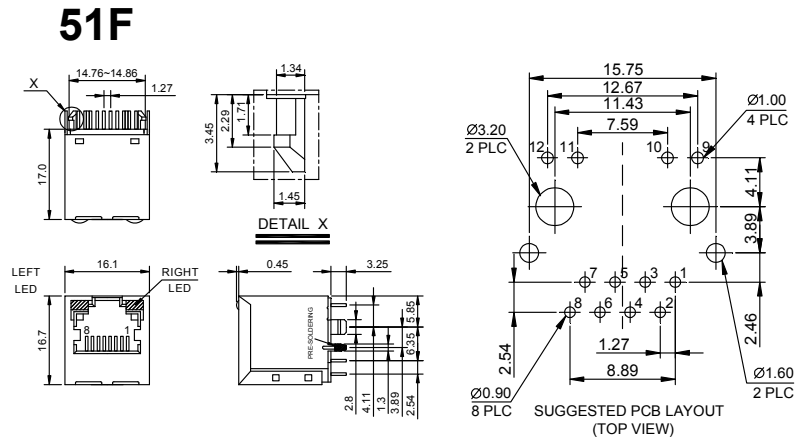
Part Number	Turns Ratio ±5%		DCR (MAX Ω)		LEDS (L/R)	Insertion Loss (dB max)	Return Loss (dB min @100Ω±15Ω)					Crosstalk (dB TYP)			Common Mode Rejection (dB min)			Hipot (V _{rms})
	TX	RX	PRI	SEC			0.3-100 MHz	1-30 MHz	40 MHz	50 MHz	60-80 MHz	30 MHz	60 MHz	100 MHz	30 MHz	60 MHz	100 MHz	
51F-1201GYD2NL	1CT:1	1CT:1	1.0	1.2	G/Y	-1.0	-20	-15	-15	-10	-30	-30	-30	-30	-30	-30	1000	
51F-1203GYD2NL	1CT:1CT	1CT:1CT	-	-	G/Y	-1.1	-18	-	-	-12	-	-	-35	-	-	-35	1500	

www.yds.com.tw


TEL : 886-6-3842899 FAX : 886-6-3843288
E-MAIL : ydsweb@yds.com.tw

Rev: 2 2018/12/11

Mechanical



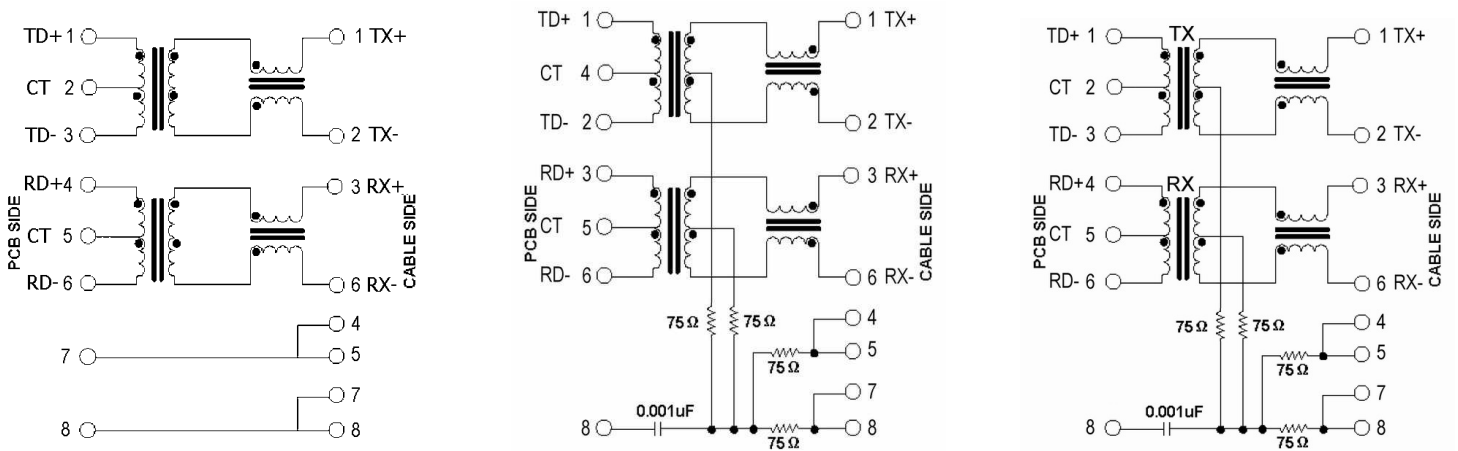
UNIT:mm Unless otherwise specified, all tolerances are ±0.25

Schematics

51F-1201

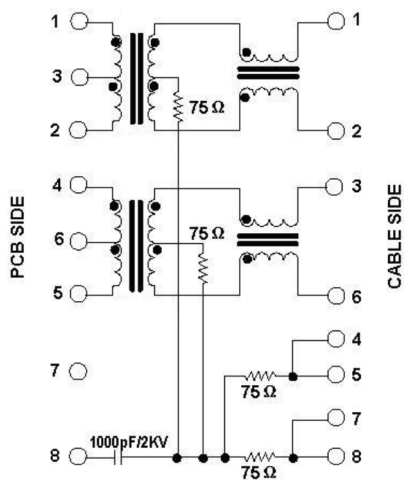
51F-1202

51F-1203



Schematics

51F-1205



51F-1210

