

FEATURES:

- Magnetic designs to support every PHY
- Meet or exceed IEEE 802.3 and ANSI X3.263 standards including 350uH min OCL with 8mA bias
- Minimum 1500Vrms isolation per IEEE 802.3 requirement

YUAN DEAN SCIENTIFIC



RJ45 Jack 51F/53F(1G) SERIES

With Magnetics
1000 Base-T
TAB Up
Vertical (180°)



ELECTRICAL SPECIFICATIONS@25°C Operating temperature 0°C TO 70°C

| Part Number | Turns Ratio (±3%) | LEDs (L/R) | Insertion Loss (dB MAX) | Return Loss (dB MIN) | | | Crosstalk (dB TYP) | | | DCMR (dB MIN) | CMR (dB TYP) | | CDMR (dB TYP) | Hipot (VDC) @60Hz |
|----------------|-------------------|------------|-------------------------|----------------------|------------|-----------|--------------------|------------|------------|---------------|--------------|-------------|---------------|-------------------|
| | | | | 0.1-100 MHz | 0.1-10 MHz | 30-60 MHz | 60-100 MHz | 0.1-30 MHz | 30-60 MHz | | 60-100 MHz | 0.1-100 MHz | | |
| 51F-1305GYDXNL | 1CT:1CT | G/Y | -1.0 | -18 | -16 | -10 | -40 | -35 | -30 | -30 | - | - | -30 | 2250 |
| 53F-1305GYD2NL | 1CT:1CT | G/Y | 1-100 MHz | 1-10 MHz | 30 MHz | 60-80 MHz | 1-10 MHz | 30-60 MHz | 60-100 MHz | - | -30 | -20 | - | 1500Vrms |
| | | | -1.2 | -18 | -16 | -12 | -30 | -30 | -30 | | | | | |

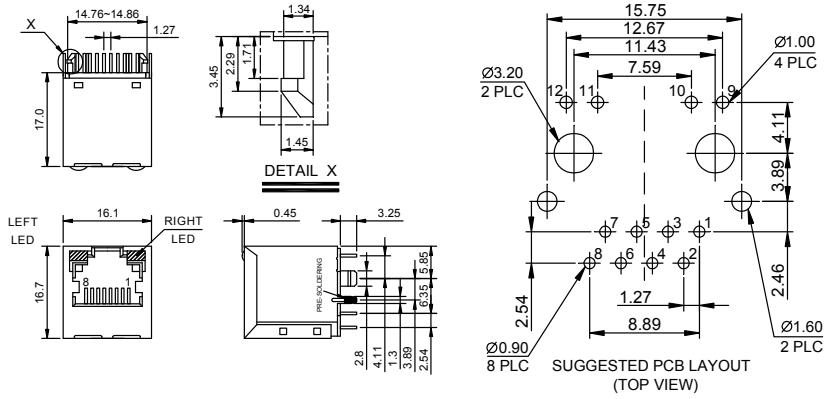
www.yds.com.tw


TEL : 886-6-3842899 FAX : 886-6-3843288
E-MAIL : ydsweb@yds.com.tw

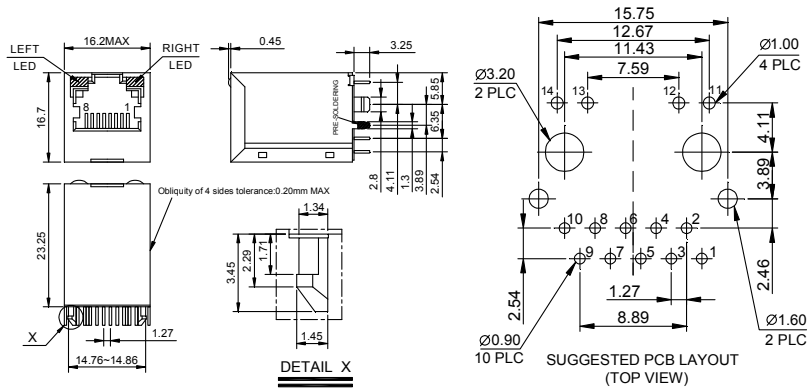
Rev: 0 2018/12/11

Mechanical

51F



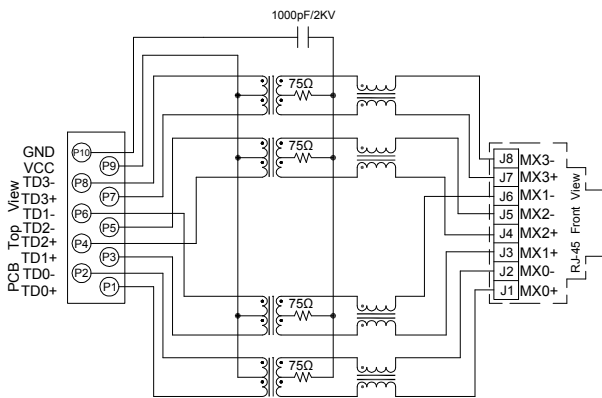
53F



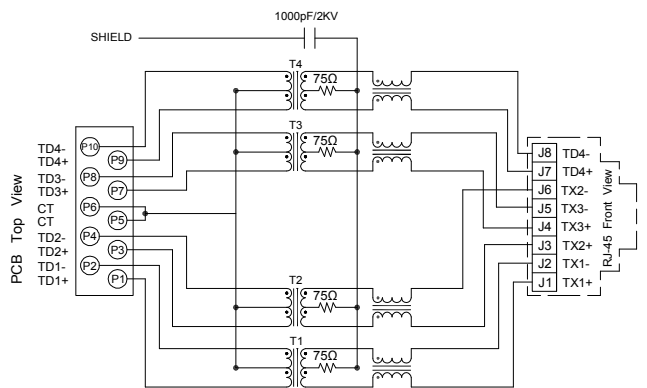
UNIT:mm Unless otherwise specified, all tolerances are ±0.25

Schematics

51F-1305

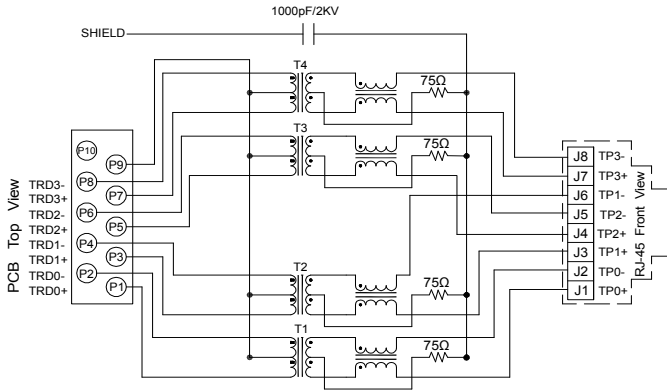


51F-1310



Schematics

53F-1305



53F-1306

