

## FEATURES:

- 1X1 Tab-UP,0.85" & 1" long with internal magnetics for 10/100/1000 Base-TX
- 350uH minimum OCL with 8mA bias current
- Internal magnetics options available
- Minimum 1500Vrms isolation
- Recognized by UL 60950-1



## YUAN DEAN SCIENTIFIC



RJ45 Jack

46F SERIES

With Magnetics

Through hole

Single Port

10/100/1000 Base-T

TAB Up



## ELECTRICAL SPECIFICATIONS@25°C

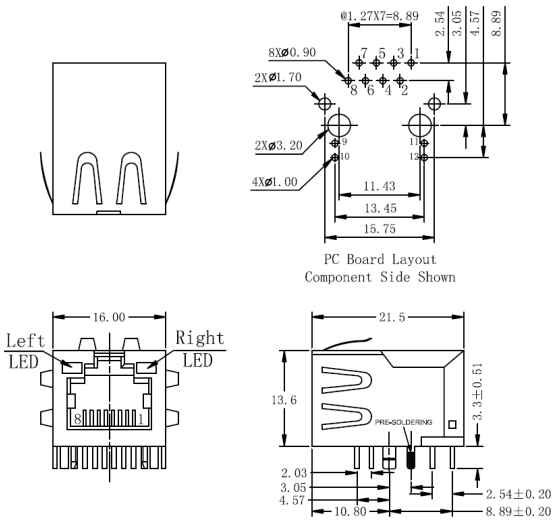
Operating temperature 0°C TO 70°C

Part Number	Turns Ratio		Insertion Loss (dB max)	Return Loss (dB min @100Ω±15Ω)				Differential to Common Mode Rejection (dB MIN)			Cross talk (dB MIN)			Hipot (Vrms)
	TX	RX		0.3-100 MHz	1-30 MHz	40 MHz	50 MHz	60-100 MHz	30 MHz	60 MHz	100 MHz	30 MHz	60 MHz	
46F-1302GYD2NL	1CT:1CT	1CT:1CT	-1.2	-16	-13.5	-11.5	-10	-35	-32	-30	-40	-36	-30	1500
46F-1207YGD2NL	1CT:1CT	1CT:1CT	-1.2	-14	-14	-14	-10	-35	-32	-30	-40	-36	-30	1500

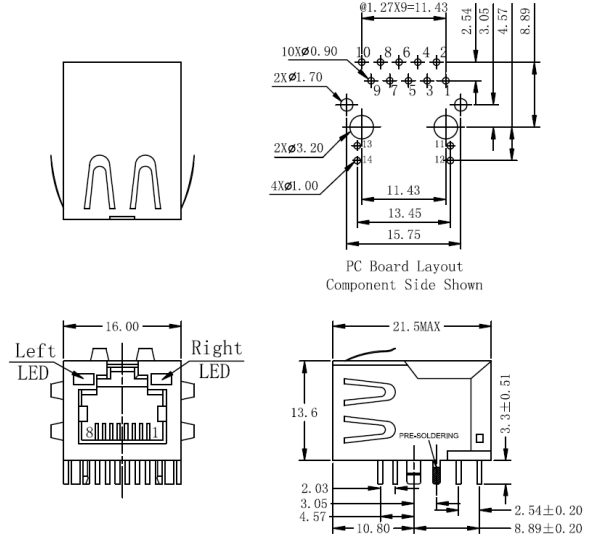


Mechanical and Dimension

46F-12XX

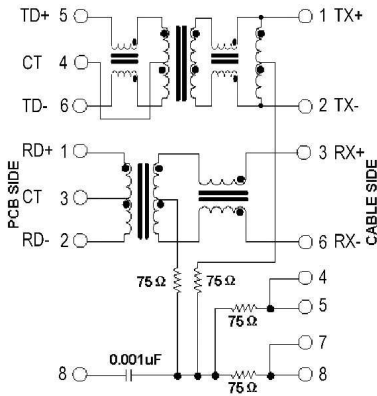


46F-13XX

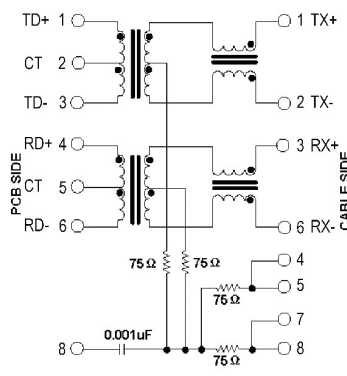


Schematics

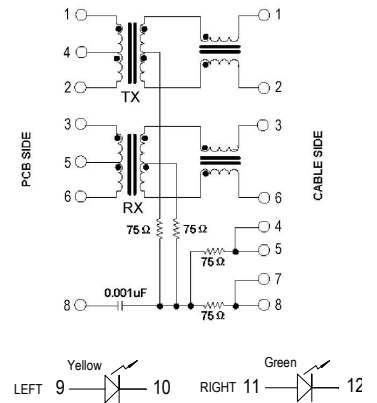
46F-1201



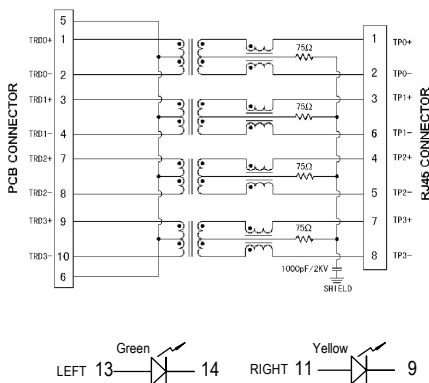
46F-1202



46F-1207



46F-1302



46F-1316

