

FEATURES:

- LAN interface suitable for 10/100Base-TX applications
- RJ45/USB stacked design saves on PCB real estate
- USB module complies with USB 2.0 standards and meets CAT5 Fast Ethernet industry performance standard
- Magnetics are 100% electrically tested for HI-POT and continuity
- Meets or exceeds IEEE 802.3 and ANSI X3.263 standards including 350 μ H minimum OCL with 8 mA bias



YUAN DEAN SCIENTIFIC



RJ45 Jack
43F / 44F SERIES
 With Magnetics
 Single / 4 in 1 Port
 10/100 Base-T
 TAB Up
 USB Integrated



ELECTRICAL SPECIFICATIONS@25°C

Operating temperature 0°C TO 70°C

Part Number	Turns Ratio ($\pm 5\%$)		Insertion Loss (dB MAX)		Return Loss (dB MIN@100 Ω $\pm 15\Omega$)			Crosstalk (dB TYP)	CMR (dB MIN)	Hipot (Vrms)
	TX	RX	1-100 MHz	1-30 MHz	30-60 MHz	60-80 MHz	0.5-100 MHz	0.3-100 MHz	@ 60Hz	
43F-1201DYD2NL	1CT:1CT	1CT:1CT	-1.0dB	-18dB	-18+20Log(F/30MHz)	-12dB	-35dB	-30dB	1500	
44F-10101DYD2NL	1CT:1	1CT:1CT	-1.0dB	-16dB	-16+20Log(F/30MHz)	-12dB	-30dB	-20dB	1500	

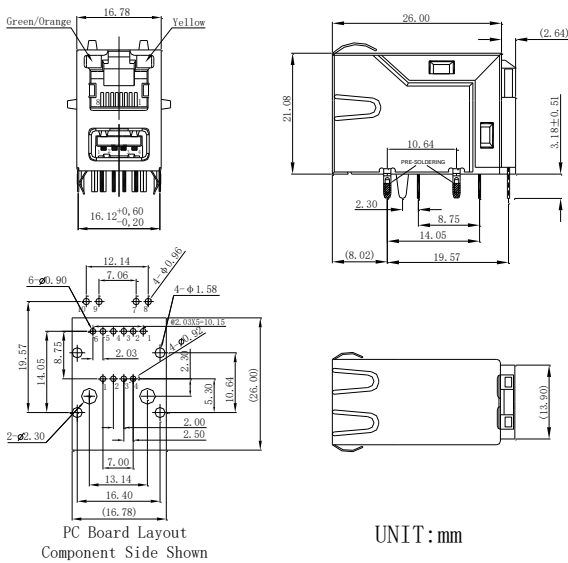
www.yds.com.tw


TEL : 886-6-3842899 FAX : 886-6-3843288
 E-MAIL : ydsweb@yds.com.tw

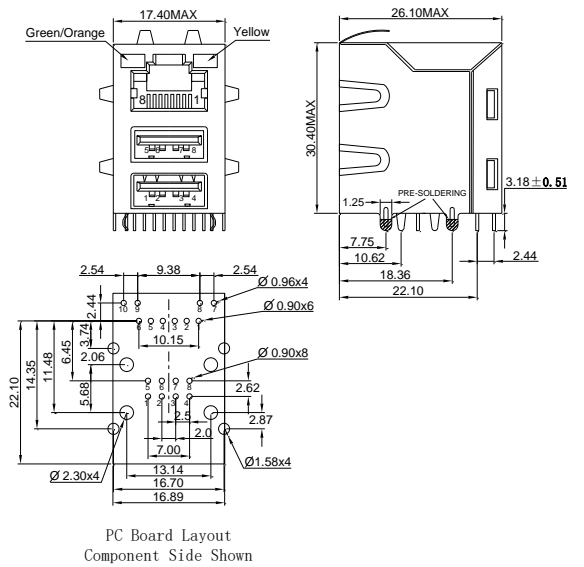
Rev: 0 2017/9/22

Mechanical and Dimension

43F

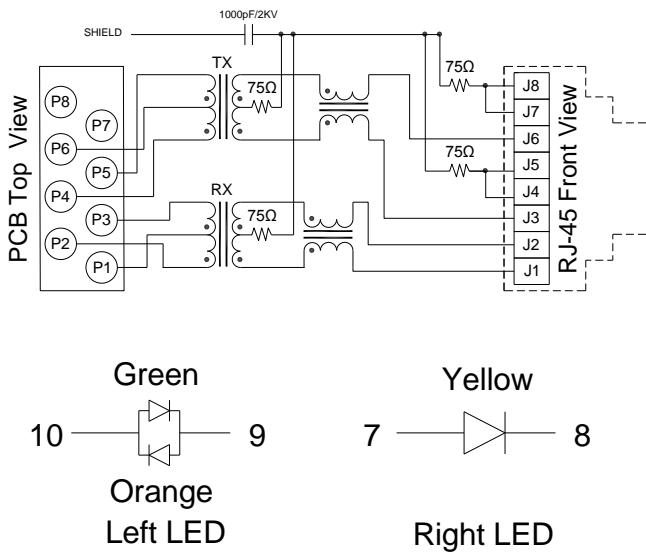


44F



Schematics

43F



44F

