

## FEATURES:

- Meets all IEEE 802.3 and ANSI X3.236 standards including 350  $\mu$ H OCL with 8 mA bias
- IC grade transfer-molded package withstands 235°C IR reflow
- Patented Interlock Base construction for high reliability

YUAN DEAN SCIENTIFIC



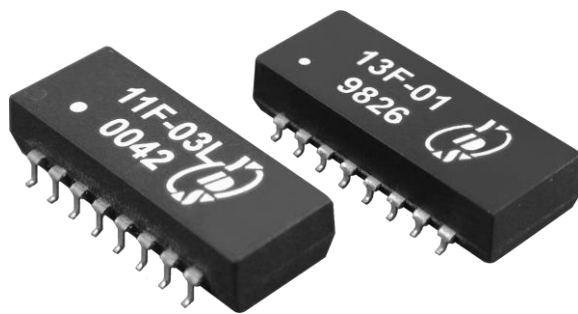
LAN Filters

11F/13F SERIES

10/100 Base-T

Single Port

16PIN SMD



## ELECTRICAL SPECIFICATIONS@25°C

Operating temperature 0°C TO 70°C

Part Number	Insertion Loss (dB MAX)	Return Loss (dB MIN @100 $\Omega$ )				Differential to Common Mode Rejection (dB MIN)			Crosstalk (dB TYP)			Hipot (V <sub>RMS</sub> min)
		0.1-100MHz	1-30 MHz	40 MHz	50 MHz	60-80 MHz	30 MHz	60 MHz	100 MHz	30 MHz	60 MHz	
13F-01LNL	-1.0	-18	-18	-16	-12	-50	-45	-40	-50	-40	-40	1500
13F-02NL	-1.0	-20	-20	-18	-14	-42	-36	-33	-50	-40	-40	1500
13F-04NL	-1.0	-22	-20	-18	-12	-45	-40	-35	-50	-40	-40	1500
13F-05NL	-1.0	-16	-13.5	-11.5	-10	-45	-45	-35	-40	-38	-35	1500
13F-05ANL	-1.0	-16	-13.5	-11.5	-10	-45	-45	-35	-40	-38	-35	1500
13F-07NL	-1.0	-22	-20	-18	-12	-45	-40	-35	-50	-40	-40	1500
13F-07ANL	-1.0	-18	-13.5	-11.5	-10	-42	-37	-33	-50	-40	-40	1500
13F-07CNL	-1.0	-20	-20	-18	-14	-42	-36	-33	-50	-40	-40	1500
13F-08NL	-1.0	-22	-20	-18	-12	-42	-38	-32	-50	-40	-40	1500
13F-08ANL	-1.15	-16	-14	-12	-12	-40	-40	-35	-38	-38	-38	1500
13F-09CNL	-1.0	-18	-13.5	-11.5	-10	-42	-37	-33	-50	-40	-40	1500
13F-10CNL	-1.0	-18	-13.5	-11.5	-10	-42	-37	-33	-50	-40	-40	1500
11F-03LNL	-1.0	-18	-16	-15	-12	-45	-40	-35	-50	-40	-40	1500
11F-04NL	-1.0	-20	-18	-18	-14	-45	-40	-35	-45	-40	-35	1500
13F-01DNL	-1.0	-16	-13.5	-11.5	-10	-45	-45	-35	-40	-35	-30	1500

www.yds.com.tw

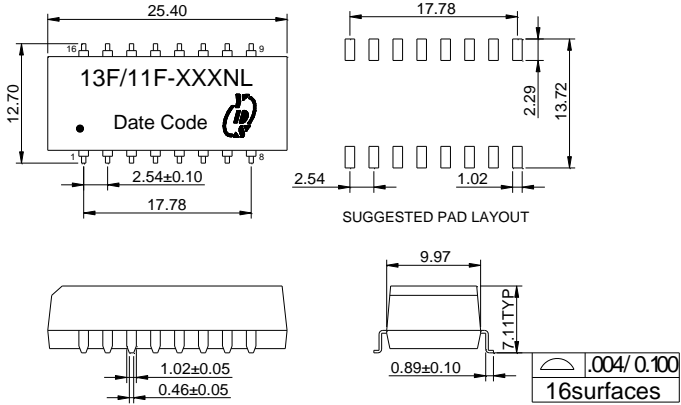


TEL : 886-6-3842899 FAX : 886-6-3843288  
E-MAIL : ydsweb@yds.com.tw

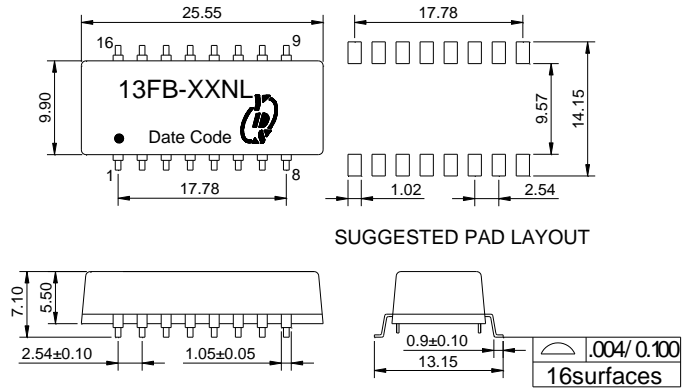
Rev: 0 2017/10/30

Mechanicals and Dimensions

Molding

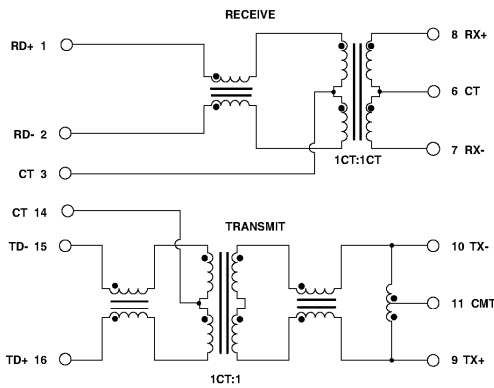


Bottom Potting

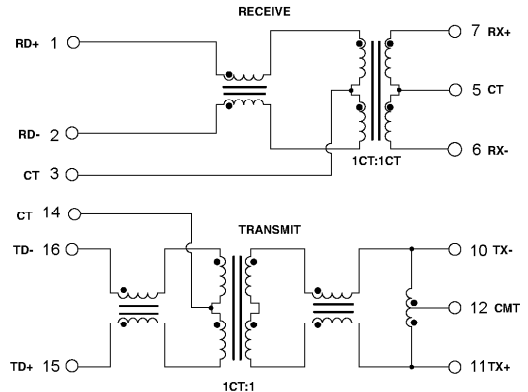


Schematics

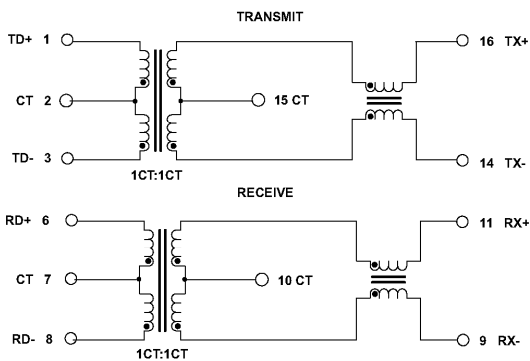
13F-05



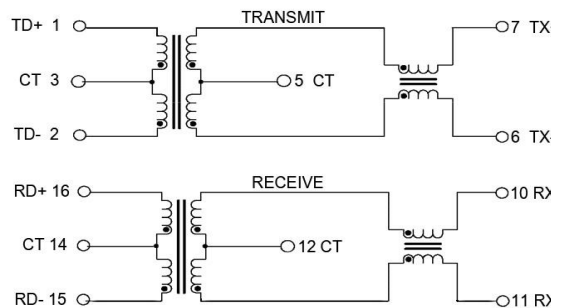
13F-05A



13F-07, 13F-10C

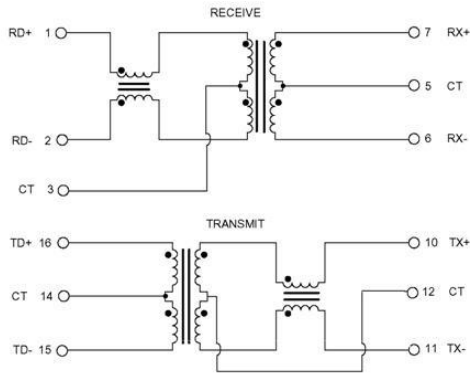


13F-07C

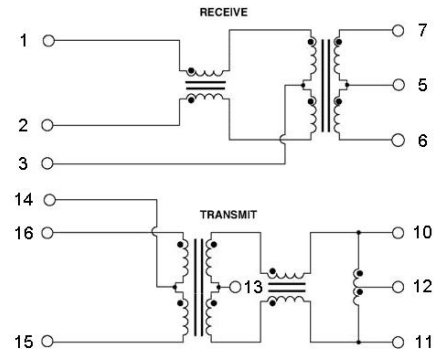


Schematics

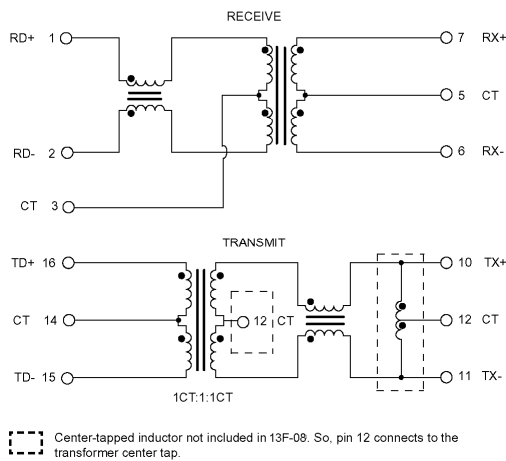
13F-08



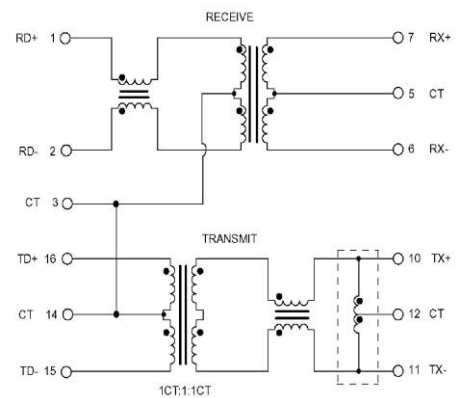
13F-08A



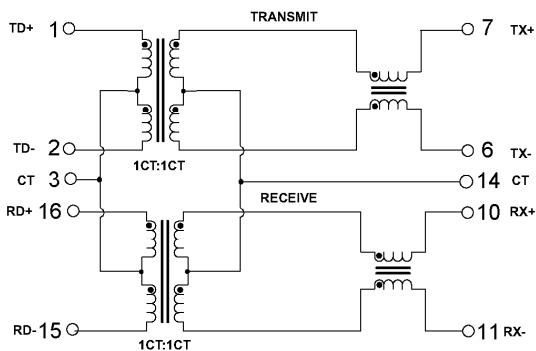
13F-01L, 13F-02, 13F-04, 13F-08, 13F-09C



13F-01D



11F-07A



11F-03L, 11F-04

