

FEATURES:

- 8-PIN PACKAGE
- 5EQUALLY-SPACED TAPS
- TTL SCHOTTKY INTERFACED
- TOTAL DELAYS FROM 25-1000nS

ELECTRICAL CHARACTERISTICS:

I _{IH} Logic"1" Input Current	:	50uA max
I _{IL} Logic"0" Input Current	:	-2mA max
V _{OH} Logic"1" Output Voltage	:	2.7V min
V _{OL} Logic"0" Output Voltage	:	0.5V max
V _{IH} Logic"1" Input Voltage	:	2.0V min
V _{IL} Logic"0" Input Voltage	:	0.8V max
T _A Operating Temperature	:	0°C to 70°C
N _H FANOUT"1" Output	:	20 TTL Load
N _L FANOUT"0" Output	:	10 TTL Load
Supply Current	:	75mA TYP.

INPUT PULSE TEST CONDITION:

Pulse Voltage	:	3.2V
Pulse Width	:	50nS Min. or 100%Td
Duty Cycle	:	<50%
Pulse Rise Time	:	2nS(0.75 TO 2.4V)
Time Delay Measured	:	@1.5V level
Supply Voltage V _{cc}	:	5.0±0.25Vdc

YUAN DEAN SCIENTIFIC

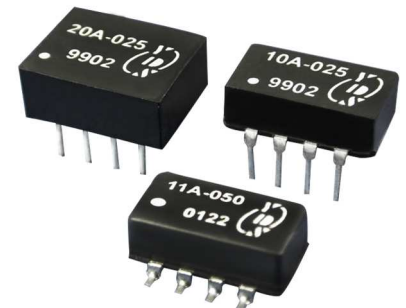


Delay Line
10A/11A/20A SERIES

8 Pin

Dual In-Line

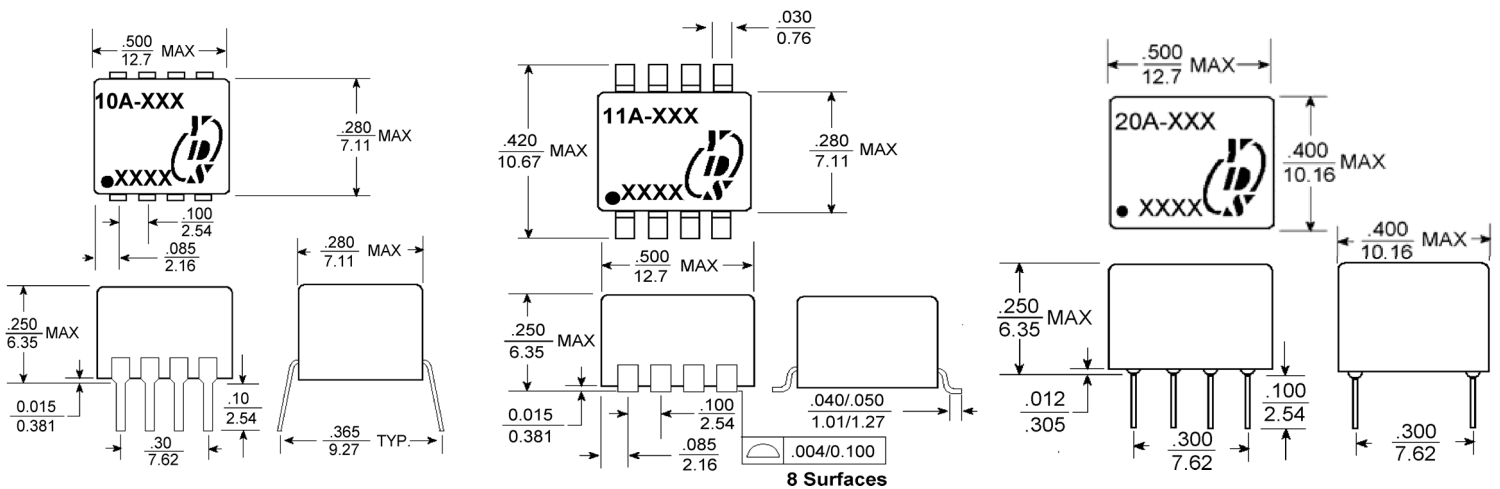
TTL Active



ELECTRICAL SPECIFICATIONS

PART NO.	DELAY TIME Td(nS)	TAP DELAY (nS)	RISE TIME Tr(nS)max
10A/11A/20A-025NL	25±2	5±2	4
10A/11A/20A-050NL	50±5%	10±2	4
10A/11A/20A-075NL	75±5%	15±2	4
10A/11A/20A-100NL	100±5%	20±2	4
10A/11A/20A-150NL	150±5%	30±2	4
10A/11A/20A-200NL	200±5%	40±2	4
10A/11A/20A-250NL	250±5%	50±5%	4
10A/11A/20A-300NL	300±5%	60±5%	4
10A/11A/20A-500NL	500±5%	100±5%	4
10A/11A/20A-1000NL	1000±5%	200±5%	4

Markings and Dimensions



Dimensions: inches/mm Unless otherwise specified, all tolerances are ±.010/±0.25

Pin Connections

