

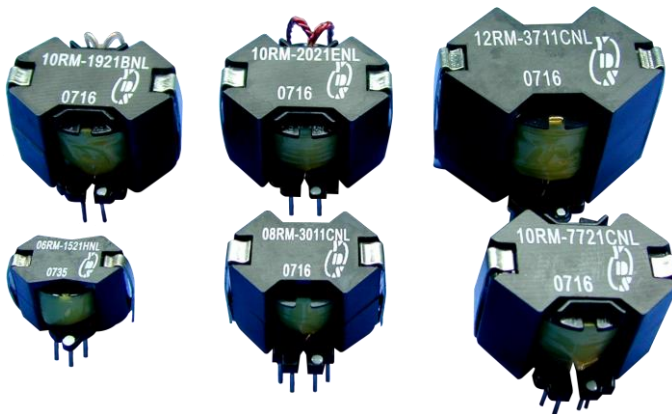
FEATURES:

- HIGH FREQUENCY POWER TRANSFORMER
- HIGH FREQUENCY SWITCHING TRANSFORMER
- INDUCTORS TRANSFORMER
- WIDE VARIETY OF OTHER SIZES AND VALUES AVAILABLE

YUAN DEAN SCIENTIFIC



High Frequency Transformers
RM SERIES



Part Number

06	SRM	-	152	1	H	NL
A			B	C	D	E

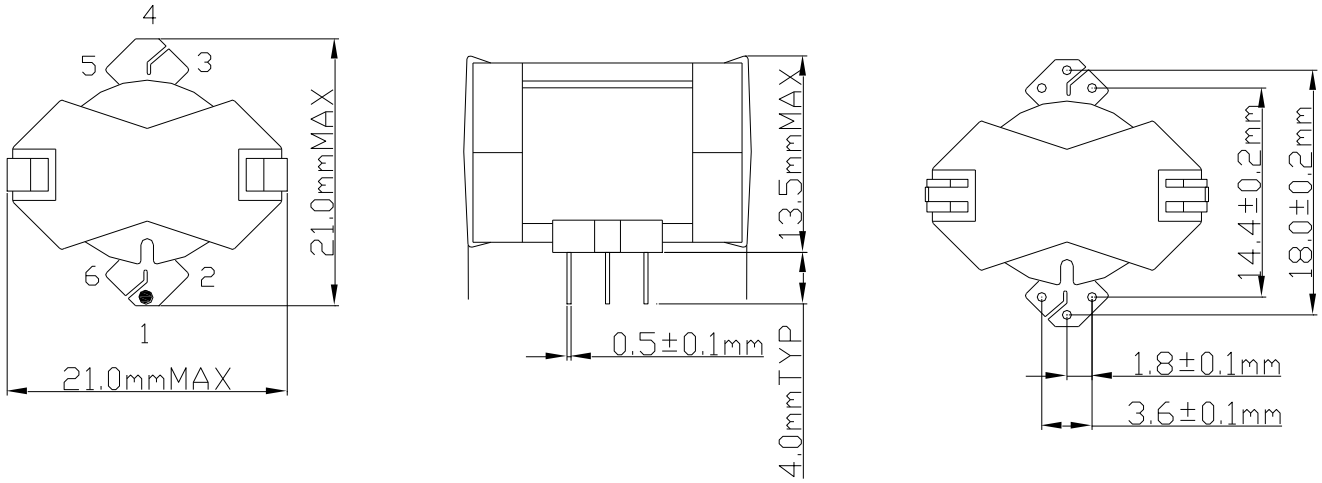
- A : Series S:SMD NO S:DIP
- B : Inductance
- C : Sequence id
- D : Schematics
- E : RoHS Version



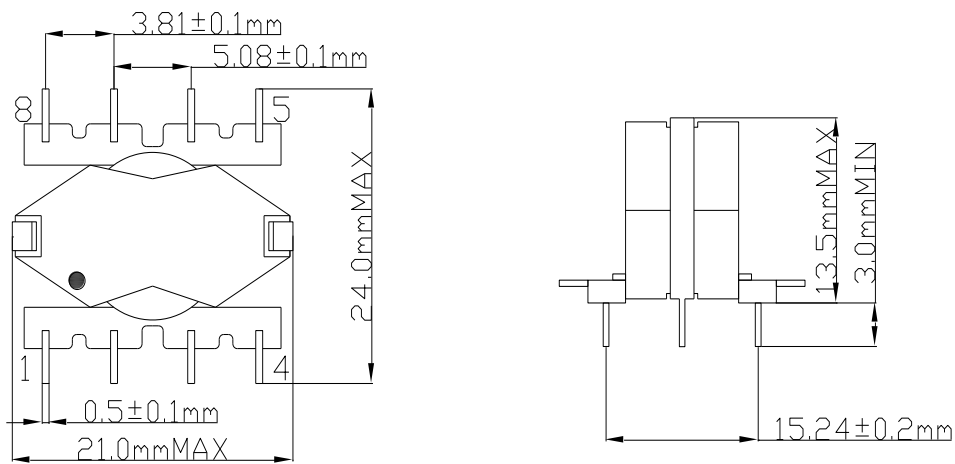
Mechanicals and Dimensions

06RM

A



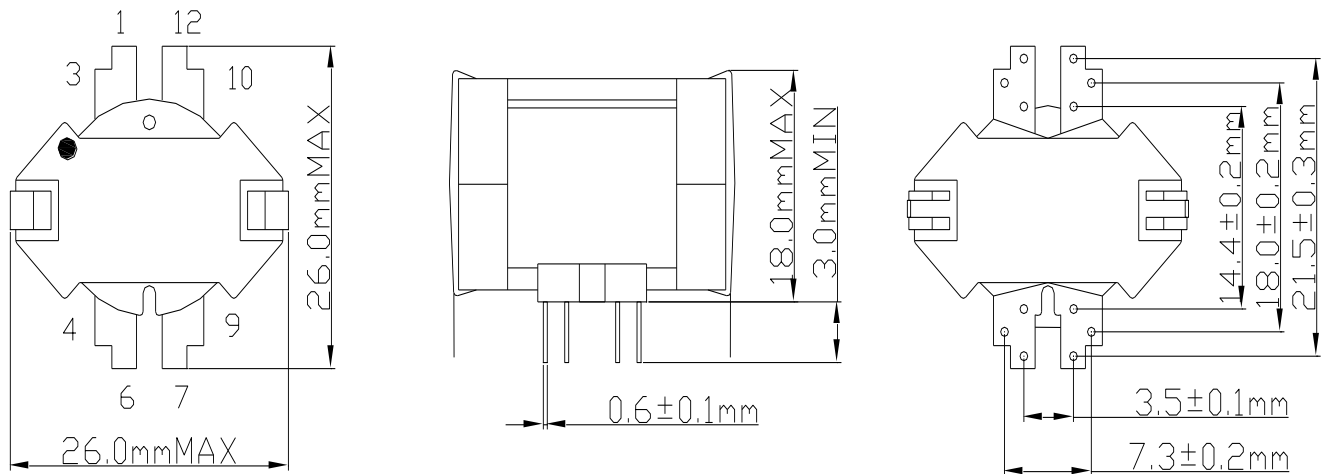
B



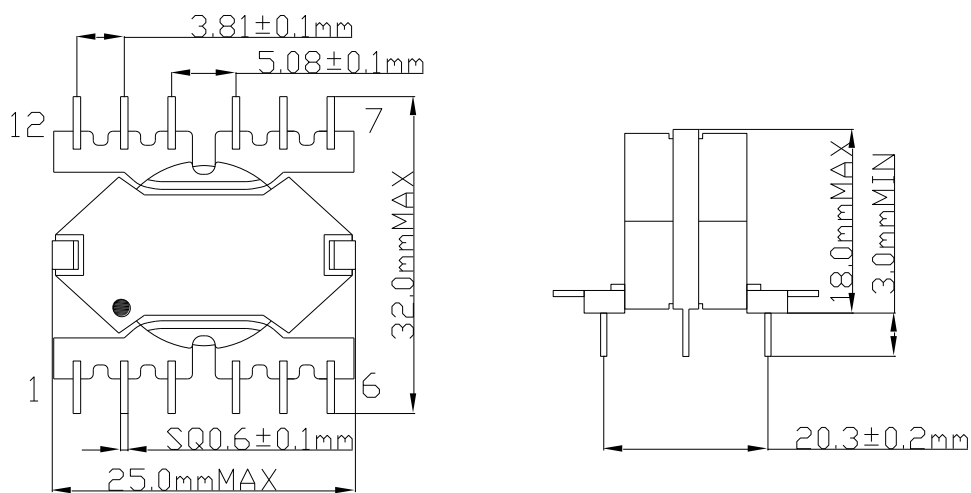
Mechanicals and Dimensions

08RM

A

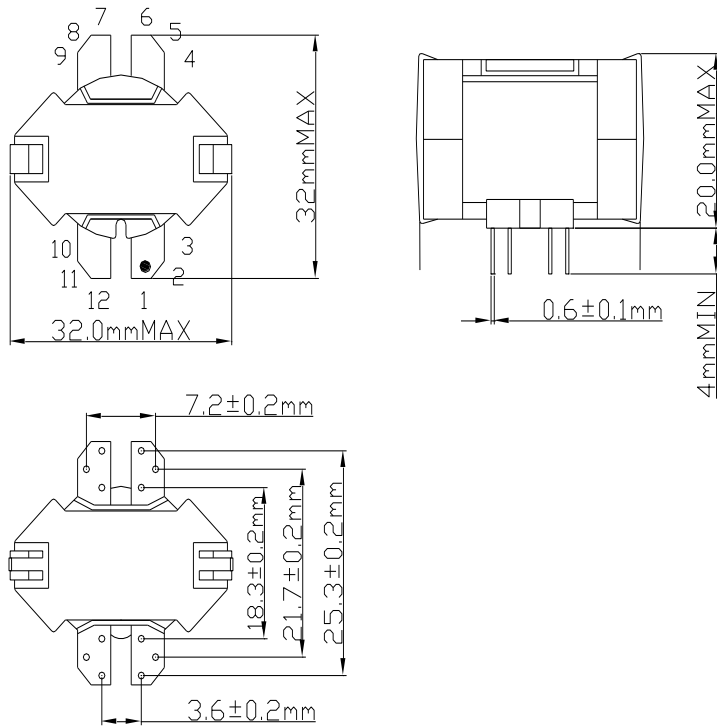


B



Mechanicals and Dimensions

10RM



12RM

