

FEATURES:

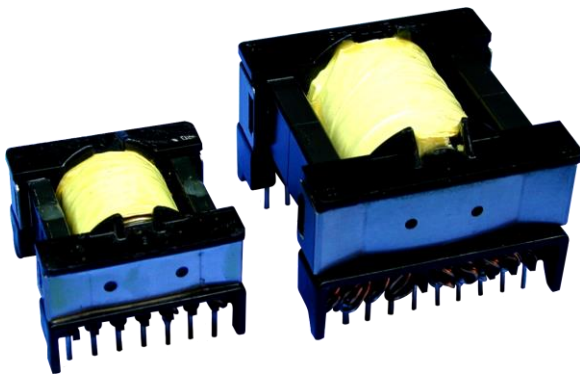
- HIGH FREQUENCY POWER TRANSFORMER
- HIGH FREQUENCY SWITCHING TRANSFORMER
- CURRENT SENSORS
- WIDE VARIETY OF OTHER SIZES AND VALUES AVAILABLE

YUAN DEAN SCIENTIFIC



High Frequency
Transformers

ETD SERIES



Part Number

29ETD	-	182	1	C	NL
A		B	C	D	E

A : Series

B : Inductance

C : Sequence id

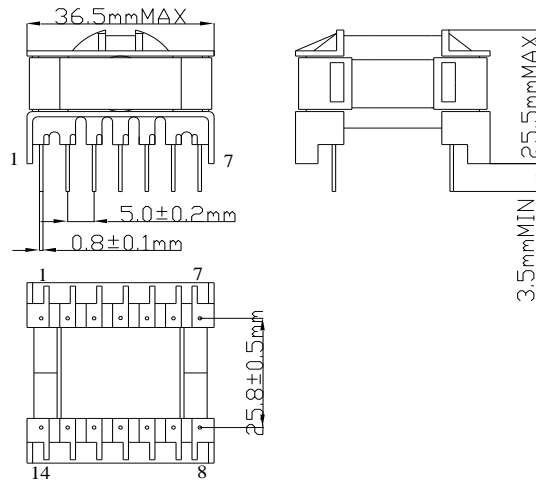
D : Schematics

E : RoHS Version

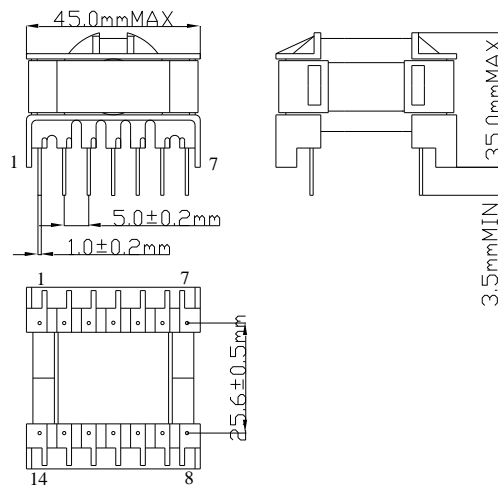


Mechanicals and Dimensions

29ETD



34ETD



49ETD

