

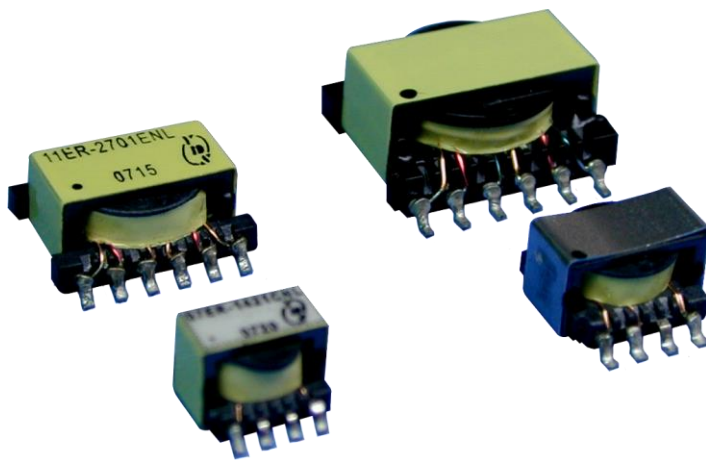
FEATURES:

- HIGH FREQUENCY POWER TRANSFORMER
- HIGH FREQUENCY SWITCHING TRANSFORMER
- INDUCTORS TRANSFORMER
- WIDE VARIETY OF OTHER SIZES AND VALUES AVAILABLE

YUAN DEAN SCIENTIFIC

High Frequency
Transformers

ER SERIES



Part Number

07ER	-	142	1	C	NL
A		B	C	D	E

A : Series

B : Inductance

C : Sequence id

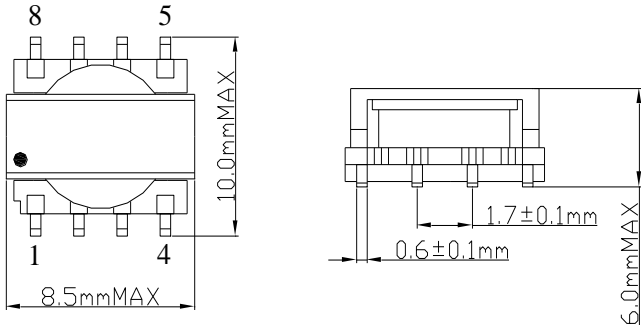
D : Schematics

E : RoHS Version

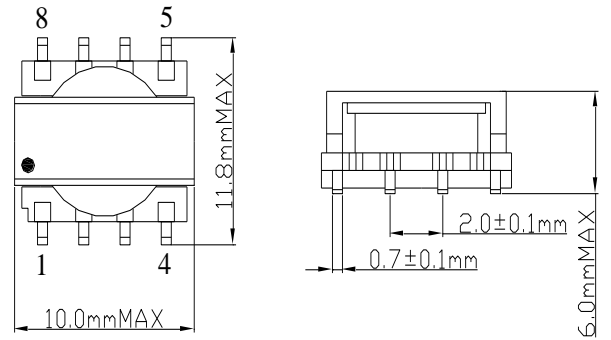


Mechanicals and Dimensions

07ER

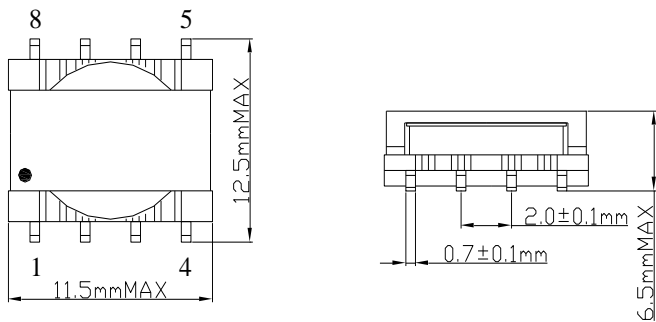


09ER

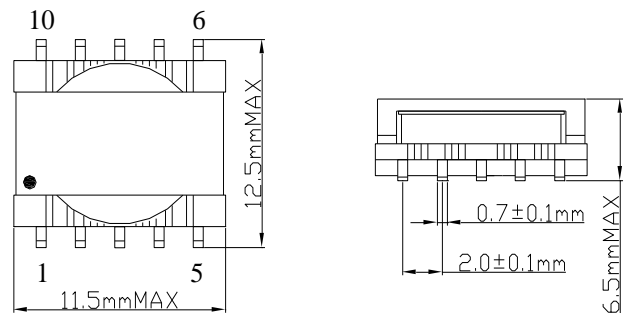


11ER

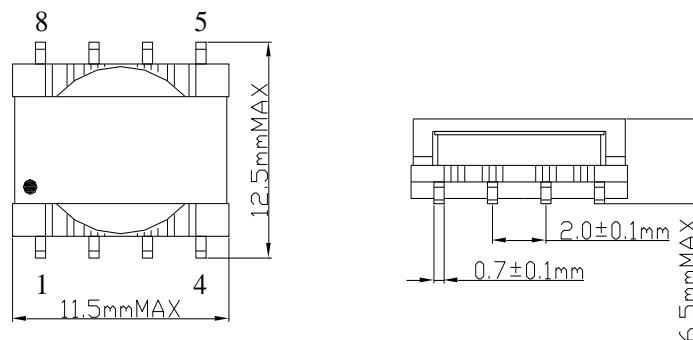
A



B

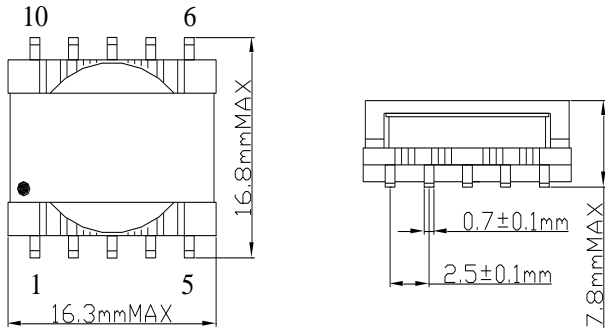


C

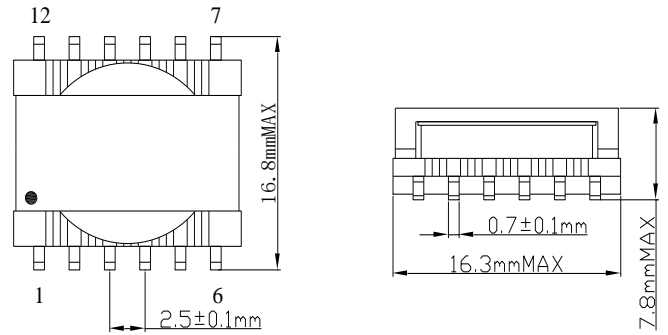


14ER

A

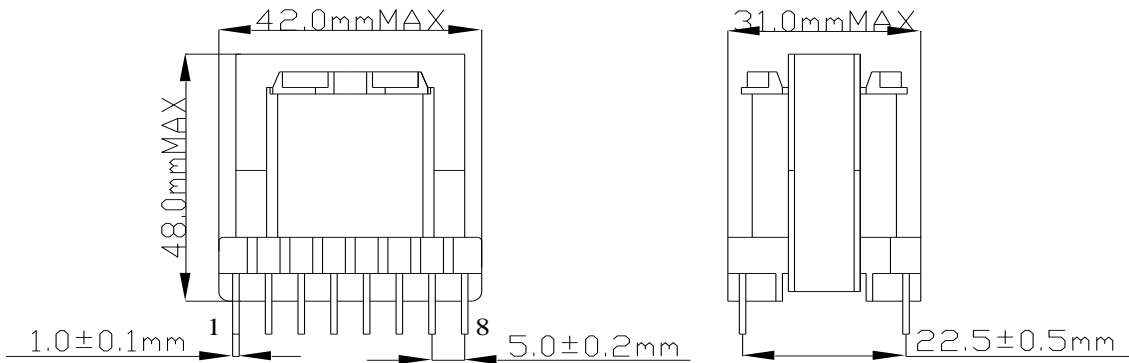


B



35ER

A



B

