

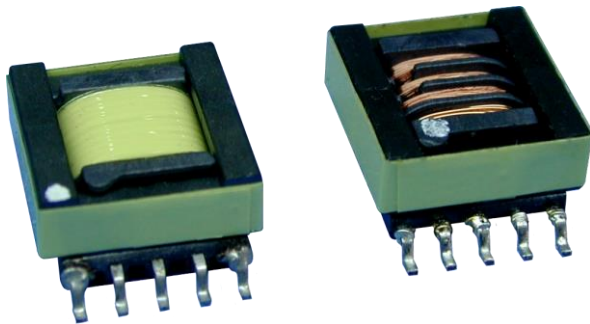
FEATURES:

- HIGH FREQUENCY POWER TRANSFORMER
- HIGH FREQUENCY SWITCHING TRANSFORMER
- CURRENT SENSORS
- WIDE VARIETY OF OTHER SIZES AND VALUES AVAILABLE

YUAN DEAN SCIENTIFIC



High Frequency Transformers  
EPC SERIES



Part Number

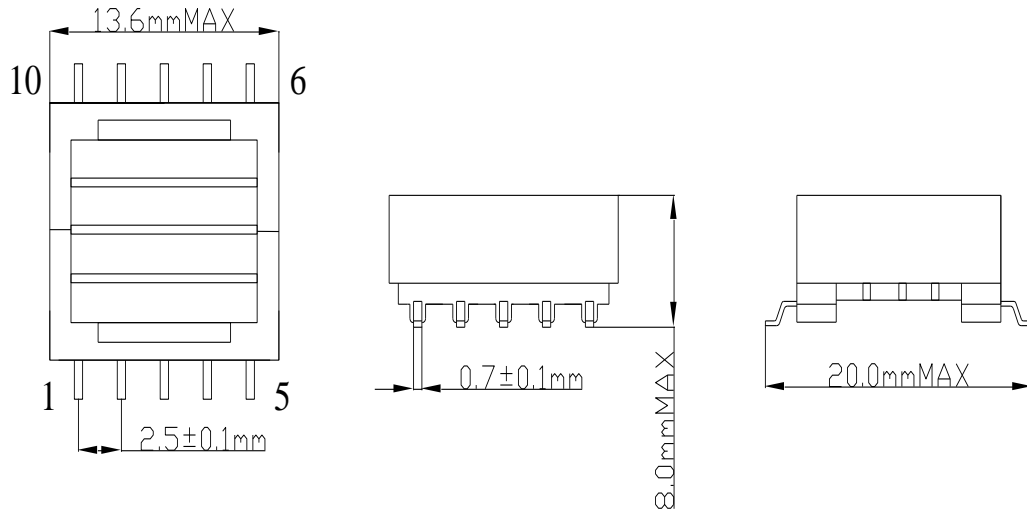
|        |   |     |   |   |    |
|--------|---|-----|---|---|----|
| 13SEPC | - | 430 | 2 | B | NL |
| A      |   | B   | C | D | E  |

- A : Series S:SMD/NO S:DIP
- B : Inductance
- C : Sequence id
- D : Schematics
- E : RoHS Version



Mechanical and Dimensions

**A**



**B**

