

FEATURES:

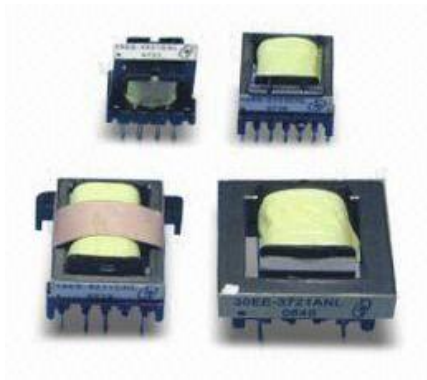
- HIGH FREQUENCY POWER TRANSFORMER
- HIGH FREQUENCY SWITCHING TRANSFORMER
- CURRENT SENSORS
- WIDE VARIETY OF OTHER SIZES AND VALUES AVAILABLE

YUAN DEAN SCIENTIFIC



High Frequency Transformers

EE SERIES



Part Number

|    |     |   |     |   |   |    |
|----|-----|---|-----|---|---|----|
| 05 | SEE | - | 121 | 1 | A | NL |
| A  |     |   | B   | C | D | E  |

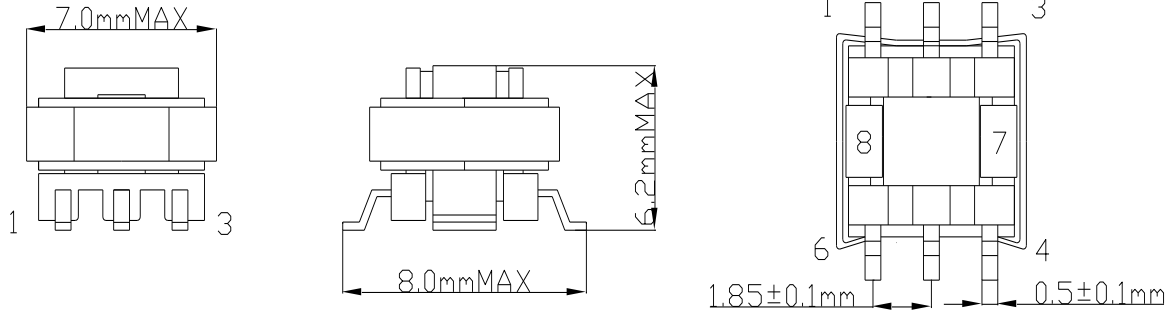
- A : Series S:SMD/NO S:DIP
- B : Inductance
- C : Sequence id
- D : Schematics
- E : RoHS Version



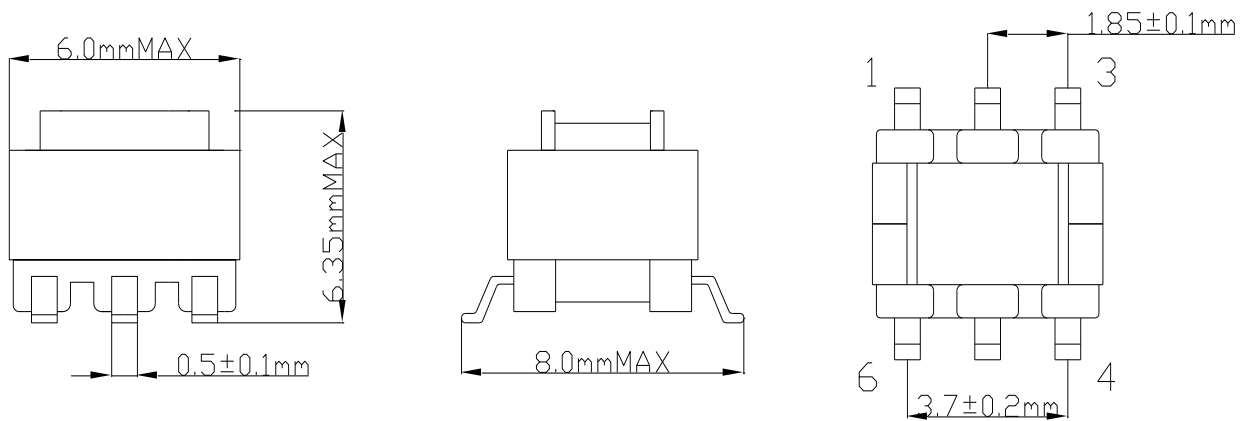
Mechanicals and Dimensions

05SEE

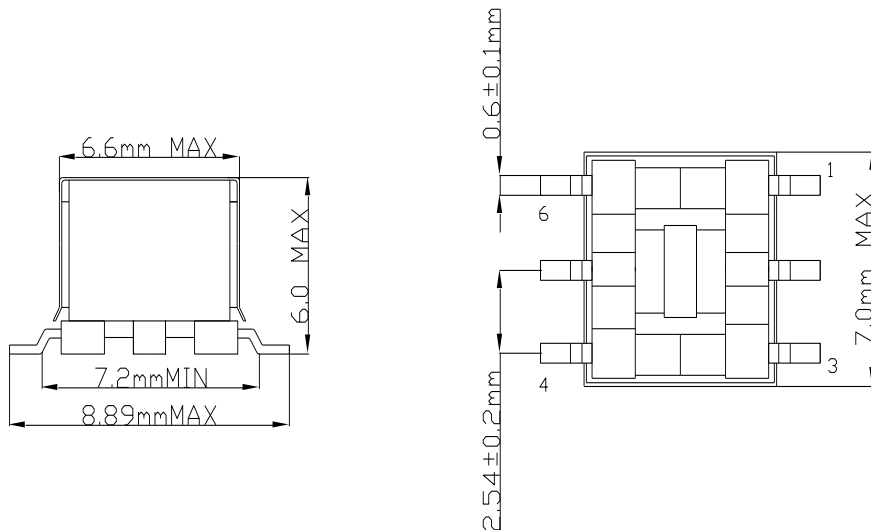
A



B

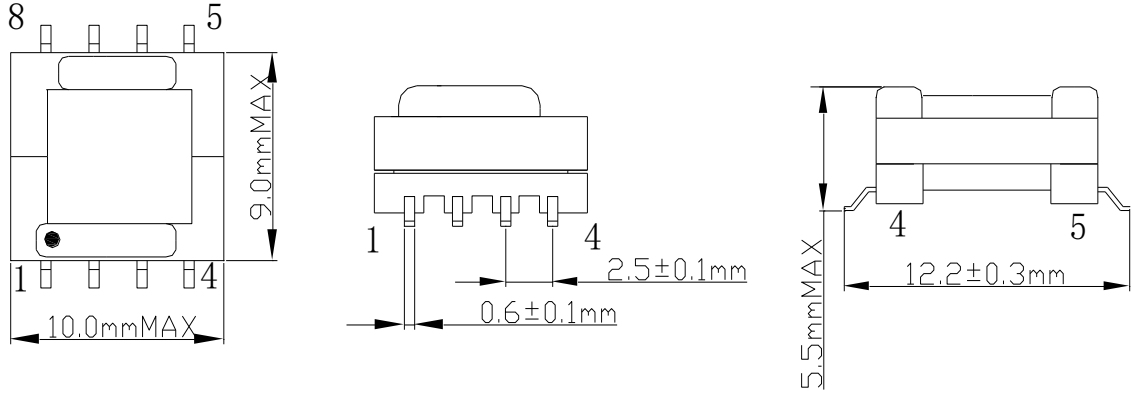


06SEE

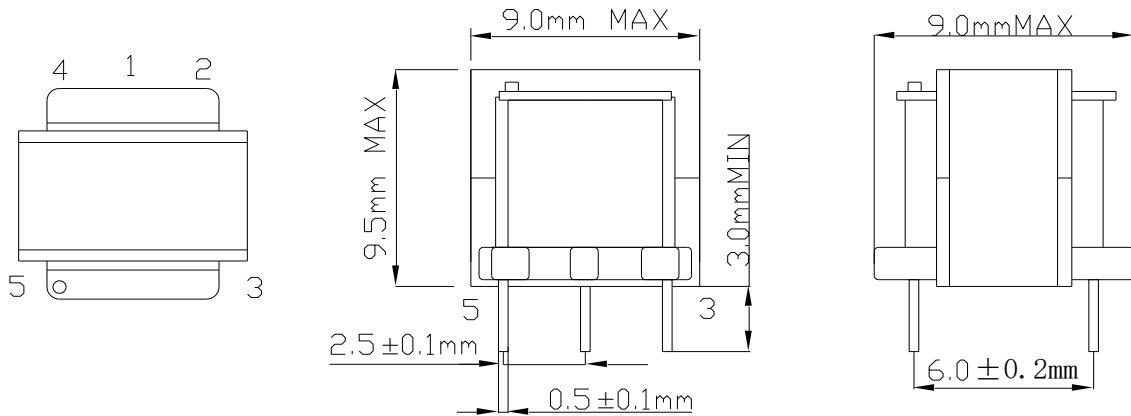


08SEE/08EE

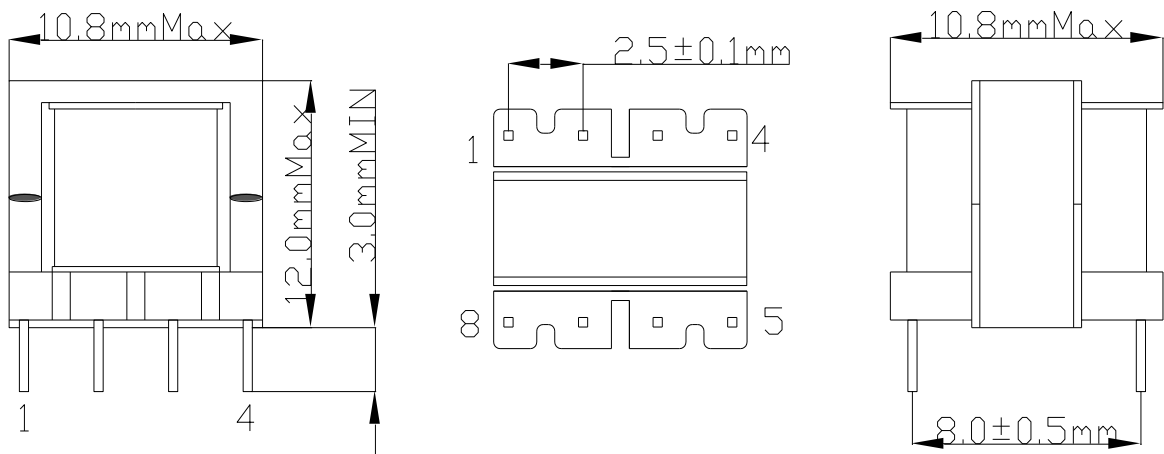
A



B

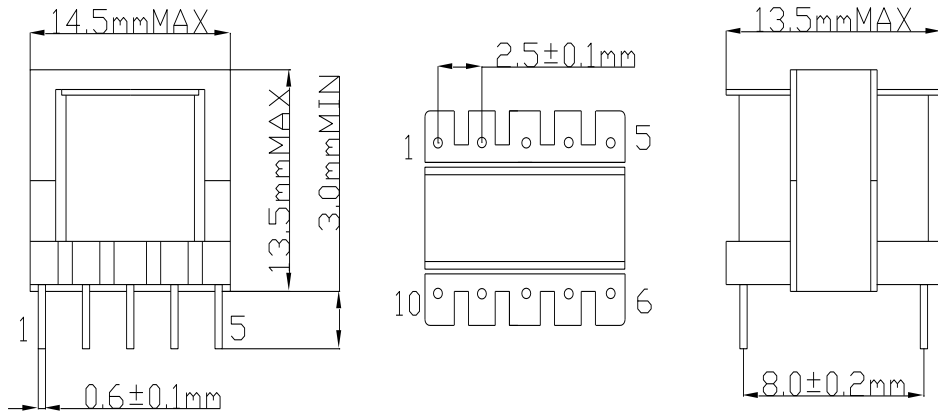


10EE

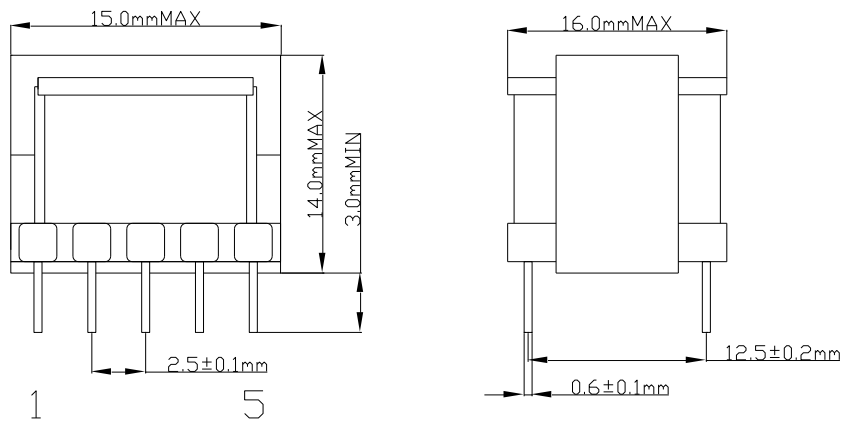


13EE

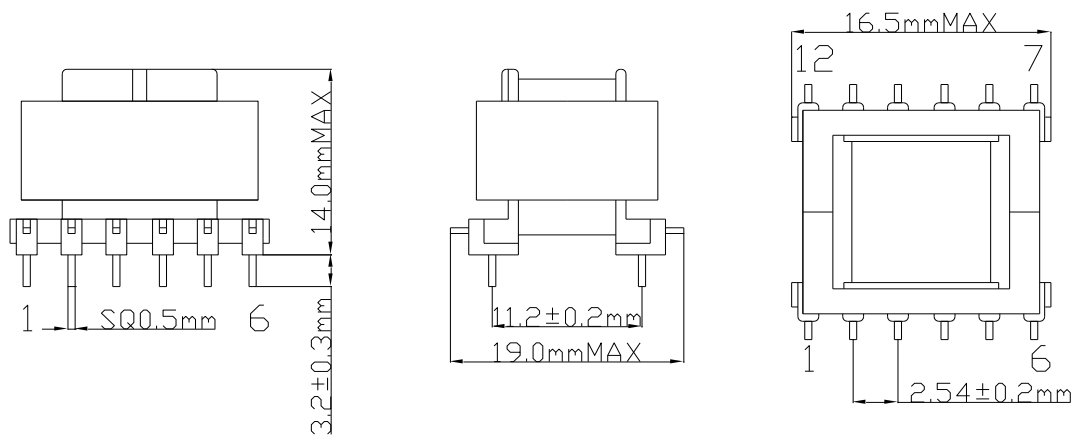
A



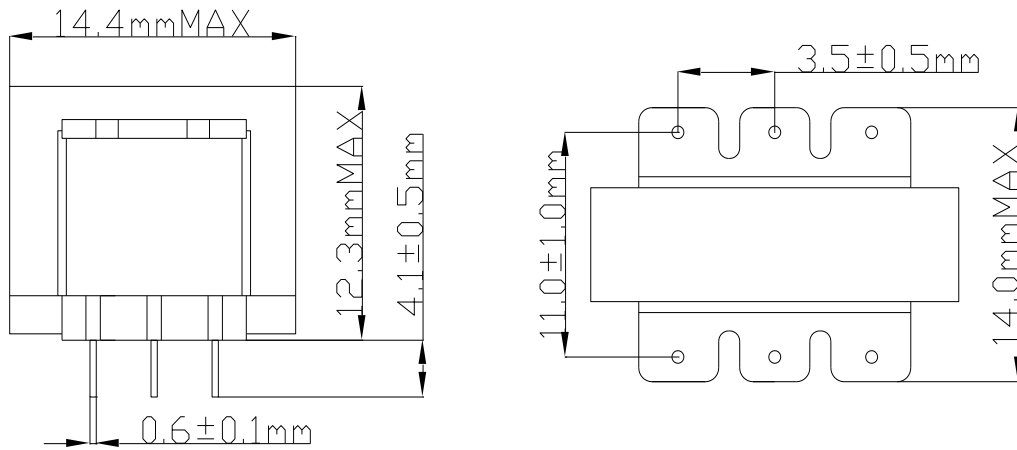
B



C

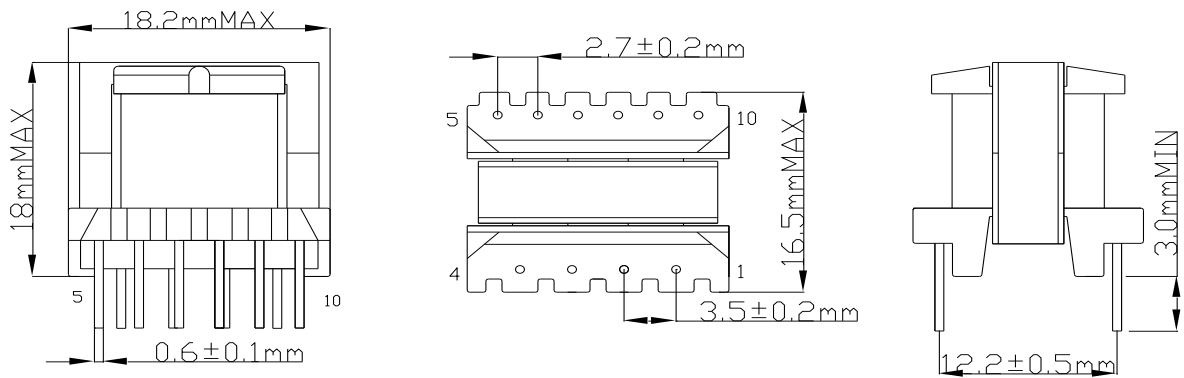


14EE

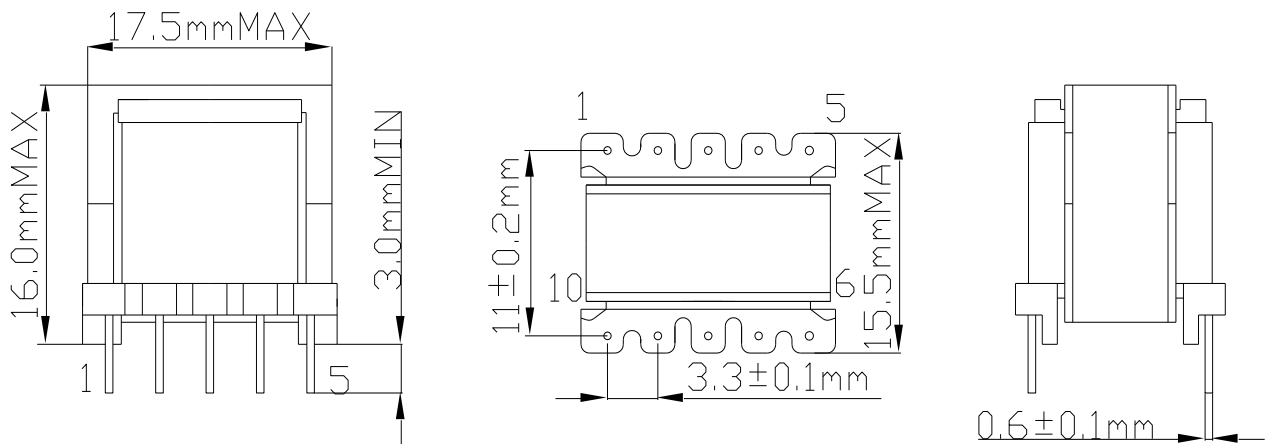


16EE

A

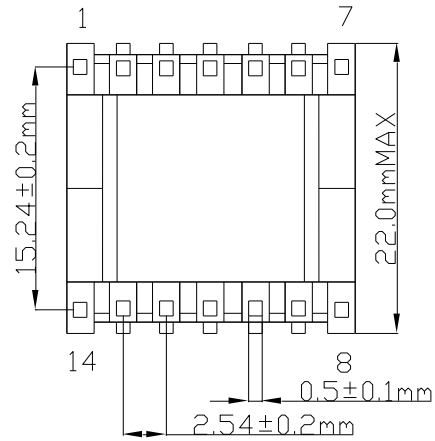
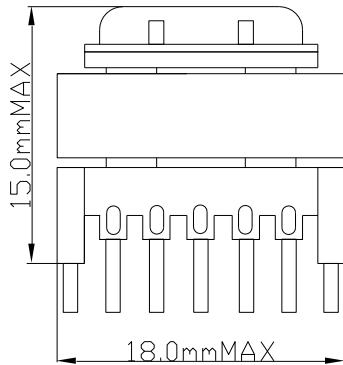


B

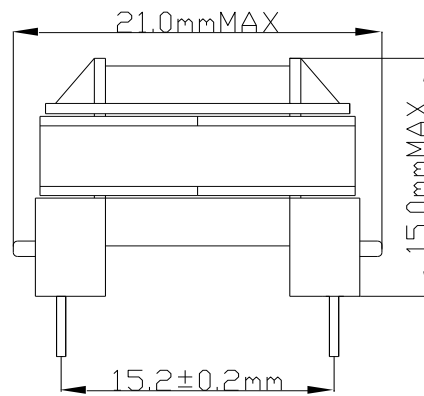
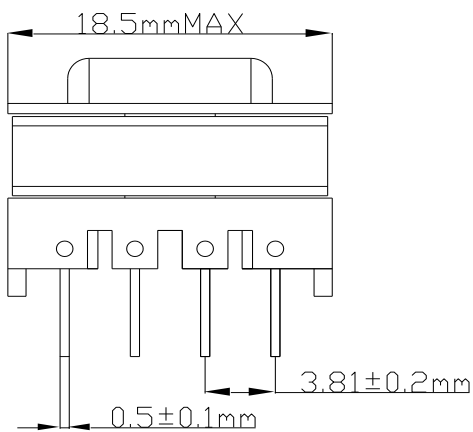


16EE

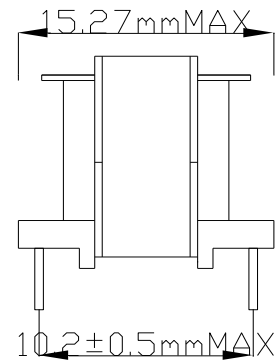
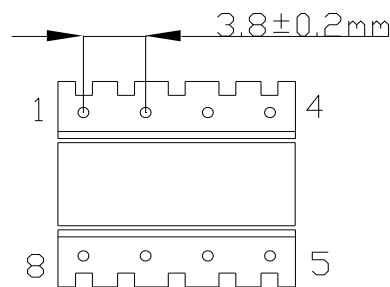
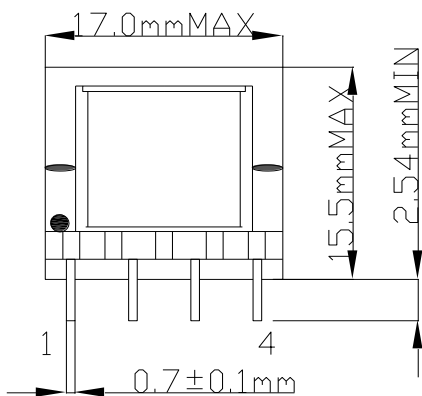
C



D

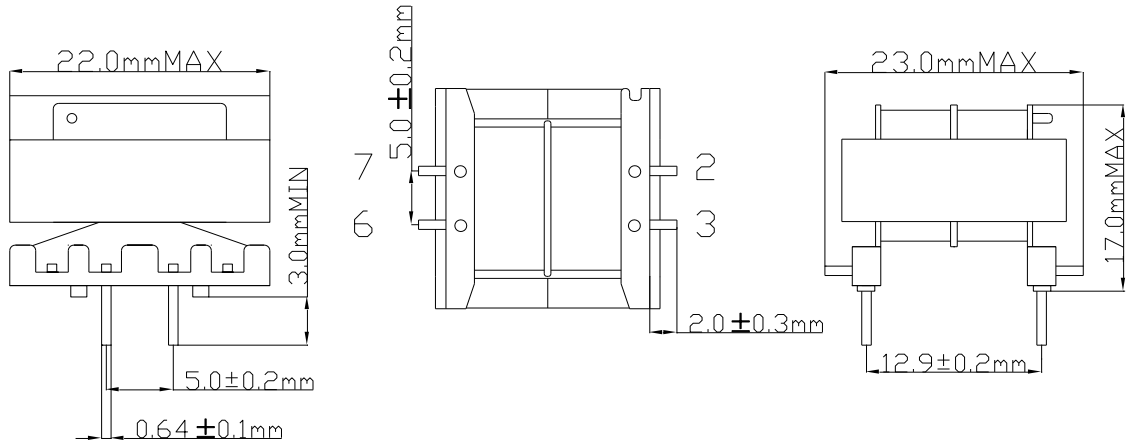


E

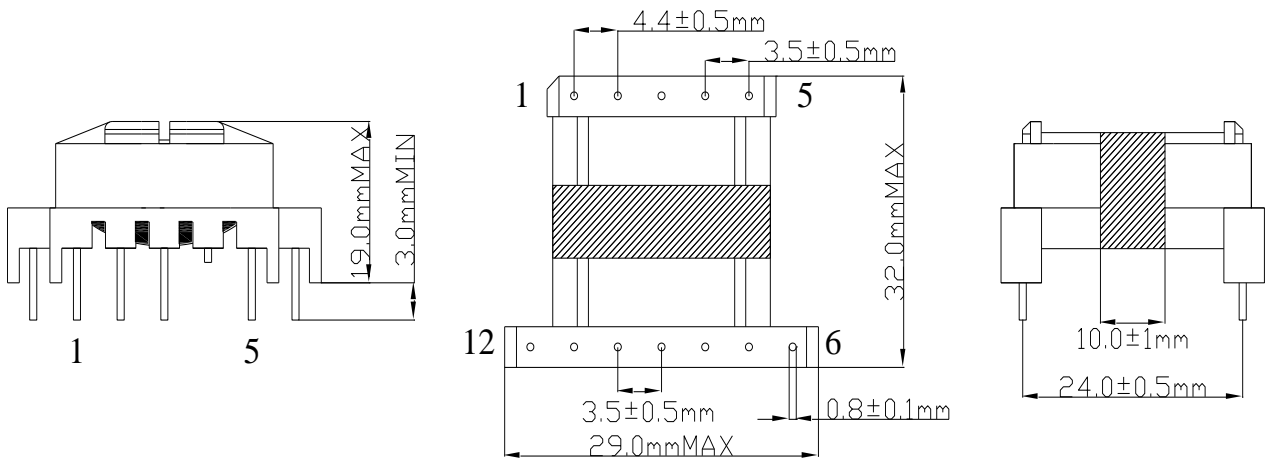


19EE

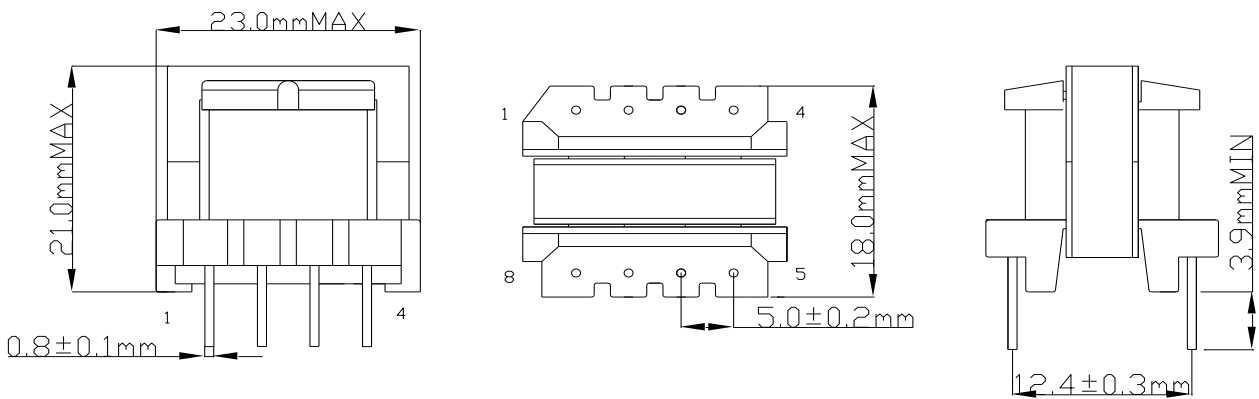
A



B

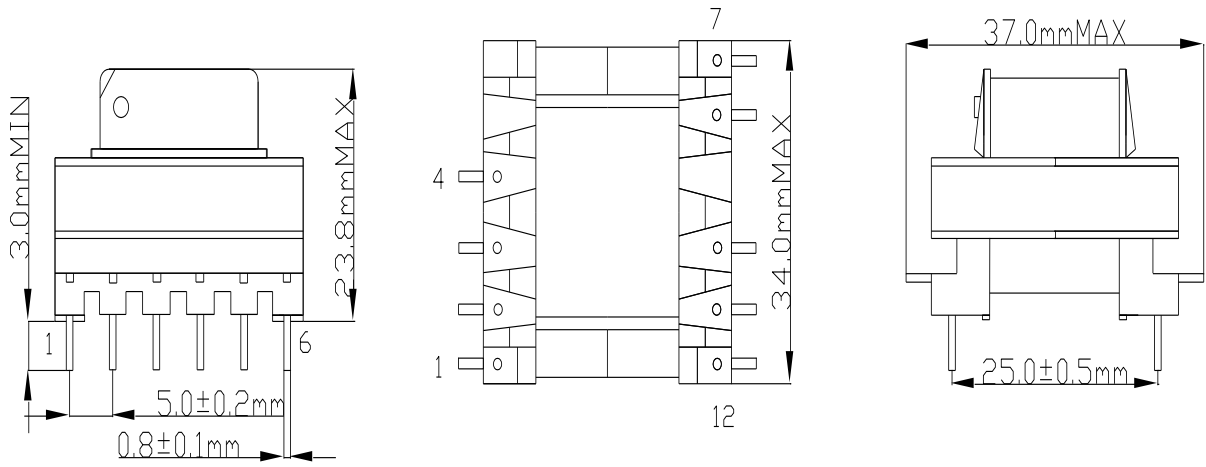


22EE



30EE

A



B

