

FEATURES :

- 6W SIP8 Package
- 2:1 Wide Input Voltages Range
- 100% Burned In
- High Efficiency Up To 86%
- Customized Solutions Available
- Remote Control: On/Off
- UL94V-0 Package Material
- Operating Temperature From -40°C To +85°C
- 3 Years Warranty

YUAN DEAN SCIENTIFIC



DC-DC Converter

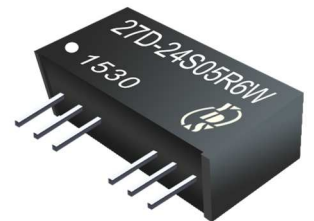
27D-6W SERIES

6Watt 1.5KV Isolated

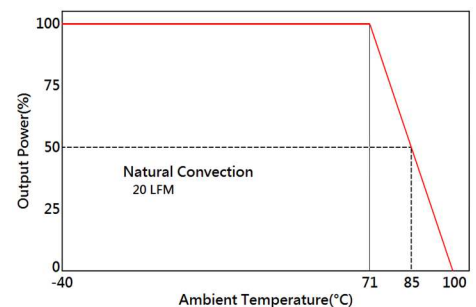
2 : 1 Input Voltage Range

Single & Dual Output

SIP8



Temperature Derating Graph



www.yds.com.tw

Specifications typical at TA=25°C, nominal input voltage and rated output current unless otherwise specified

Part Number	Input Voltage Range	Input Current		Output Voltage Range	Output Current	Efficiency
	Vdc	No Load (mA TYP)	Full Load (mA TYP)	Vdc	mA	%TYP
27D-12S03R6W	9-18	5	509	3.3	1500	81
27D-12S05R6W	9-18	5	602	5	1200	83
27D-12S12R6W	9-18	5	588	12	500	85
27D-12S15R6W	9-18	5	588	15	400	85
27D-12S24R6W	9-18	5	595	24	250	84
27D-24S03R6W	18-36	7	255	3.3	1500	81
27D-24S05R6W	18-36	7	301	5	1200	83
27D-24S12R6W	18-36	7	294	12	500	85
27D-24S15R6W	18-36	7	291	15	400	86
27D-24S24R6W	18-36	7	294	24	250	85
27D-48S03R6W	36-72	7	127	3.3	1500	81
27D-48S05R6W	36-72	7	152	5	1200	82
27D-48S12R6W	36-72	7	147	12	500	85
27D-48S15R6W	36-72	7	145	15	400	86
27D-48S24R6W	36-72	7	149	24	250	84
27D-12D12R6W	9-18	5	602	±12	±250	83
27D-12D15R6W	9-18	5	595	±15	±200	84
27D-24D12R6W	18-36	7	298	±12	±250	84
27D-24D15R6W	18-36	7	298	±15	±200	84
27D-48D12R6W	36-72	7	149	±12	±250	84
27D-48D15R6W	36-72	7	147	±15	±200	85

Input Specifications

Parameters	Conditions	Min	Typ	Max	Units
Voltage Types	Vo, Io Nom			2:1	
Filter	Capacitor				



TEL : 886-6-3842899 FAX : 886-6-3843288
E-MAIL : ydsweb@yds.com.tw

Rev:0 2018/10/31

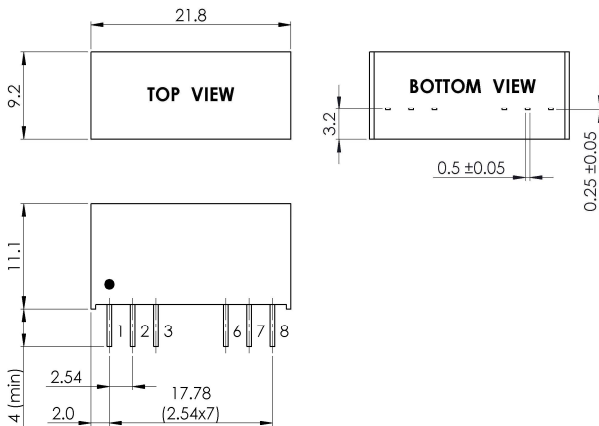
Output Specifications

Parameters	Conditions	Min	Typ	Max	Units
Voltage Tolerance	100% full load			±2	%
Short Circuit Protection	Continuous, Auto-Recovery				
Line Regulation		-0.5		+0.5	%
Load Regulation	Single output models Dual output models	-0.5 -5.0		+0.5 +5.0	%
Ripple & Noise	Output:3V-10V TYPES BW=DC To 20MHz			100	mVp-p
	Output>10V TYPES BW=DC To 20MHz			1% of Vout	mVp-p
Transient response setting time	25% load step change		250		us

General Specifications

Parameters	Conditions	Min	Typ	Max	Units
Isolation Voltage			1500		Vdc
Isolation Resistance	500Vdc	1000			MΩ
Switching Frequency	Single Dual		400 500		KHz
Operating Temperature		-40		85	°C
Storage Temperature		-55		125	°C
Humidity	Non Condensing			95	%
Cooling	Natural Convection (20LFM)				
Case material	DAP				
MTBF	MIL-HDBK-217F @25°C	1500000			Hours
Weight			4.5		g
Dimensions			21.8x9.2x11.1		mm

Dimensions



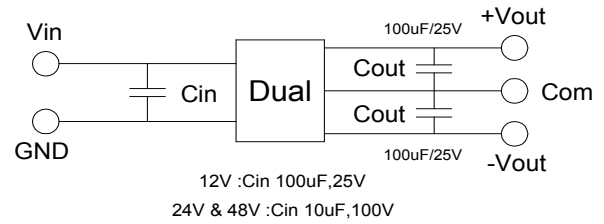
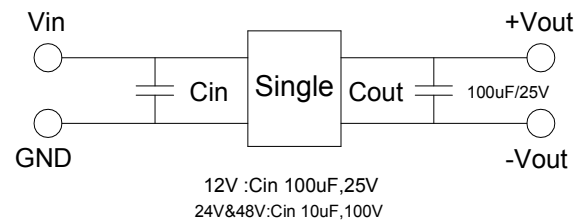
UNIT : mm tolerances are XX.X±0.5 ,XX.XX±0.25, the tolerance of Pin size is ±0.05

Part Number

27D- 24 S 05 R 6W
A B C D E F

A: Series
B: Input Voltage
C: Single Output
D: Output Voltage
E: Regulated(R)
F: Watt

Recommended Test Circuit



PIN Connection

Pin	1	2	3	6	7	8
Single	-Vin	+Vin	Remote ON/OFF	+Vout	-Vout	NC
Dual	-Vin	+Vin	Remote ON/OFF	+Vout	COM	-Vout