

FEATURES:

- IEEE 802.3af&at/ANSI X3.263 compliant performance
- Suitable for End-span and Mid-span PoE applications
- 350&600mA current capability
- Designed for IP phone or switch applications
- Compact footprint
- Designed to withstand IR reflow temperatures up to 240°C
- Recognized by UL 60950-1



YUAN DEAN SCIENTIFIC



LAN Filters

PoE 15FB SERIES

10/100/1000 Base-TX

PoE & PoE+

SMD



ELECTRICAL SPECIFICATIONS@25°C-Operating temperature 0°C TO 70°C

| Part Number | Ports | Insertion Loss (dB max) | Return Loss (dB MIN @100Ω) | | | | Differential to Common Mode Rejection (dB MIN) | | | Crosstalk (dB MIN) | | | Hipot (Vrms MIN) @60Hz | POE Current |
|-------------|-------|-------------------------|----------------------------|----------|--------|--------|--|--------|--------|--------------------|--------|--------|---------------------------|-------------|
| | | | 1-100 MHz | 1-30 MHz | 40 MHz | 50 MHz | 60-80 MHz | 30 MHz | 60 MHz | 100 MHz | 30 MHz | 60 MHz | | |
| 15FB-40NL | 4 | -1.2 | -16 | -14 | -13 | -12 | -43 | -37 | -33 | -45 | -40 | -30 | 1500 | 350mA |
| 15FB-83NL | 1 | -1.2 | -18 | -14 | -13 | -12 | - | - | - | -41 | -37 | -33 | 1500 | 750mA |
| 15FB-41NL | 2 | -1.2 | -16 | -14 | -13 | -12 | -43 | -37 | -30 | -35 | -30 | -25 | 1500 | 600mA |
| 15FB-73NL | 2 | -1.0 | -18 | -14.4 | -13.1 | -12 | -43 | -37 | -33 | -45 | -40 | -35 | 1800 | 350mA |
| 15FB-62NL | 1 | -1.2 | -14 | - | -12 | -10 | - | - | - | - | - | -30 | 1500 | 1.5A |
| 15FB-30NL | 1 | -1.2 | -16 | -14 | -13 | -12 | -43 | -37 | -33 | -45 | -40 | -35 | 1500 | 600mA |
| 15FB-52NL | - | -1.0 | -16 | -13.5 | -11.6 | -10 | - | - | - | - | - | -30 | 1500 | 720mA |
| 15FB-10NL | 1 | -1.2 | -16 | -14 | -13 | -12 | -43 | -37 | -33 | -43 | -37 | -31 | 1500 | 350mA |
| 15FB-21NL | 2 | -1.0 | -18 | -18 | -16 | -12 | -43 | -37 | -30 | -43 | -37 | -33 | 1500 | 600mA |

www.yds.com.tw

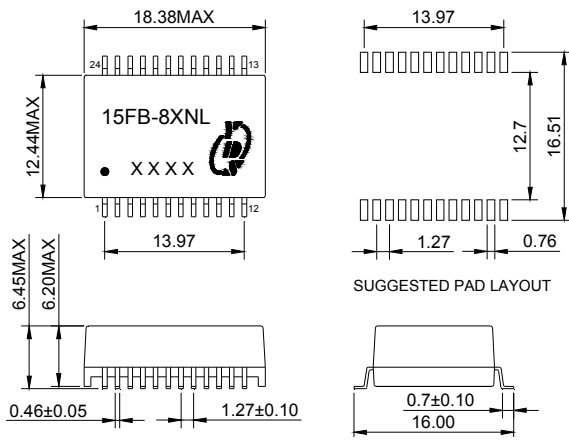


TEL : 886-6-3842899 FAX : 886-6-3843288
E-MAIL : ydsweb@yds.com.tw

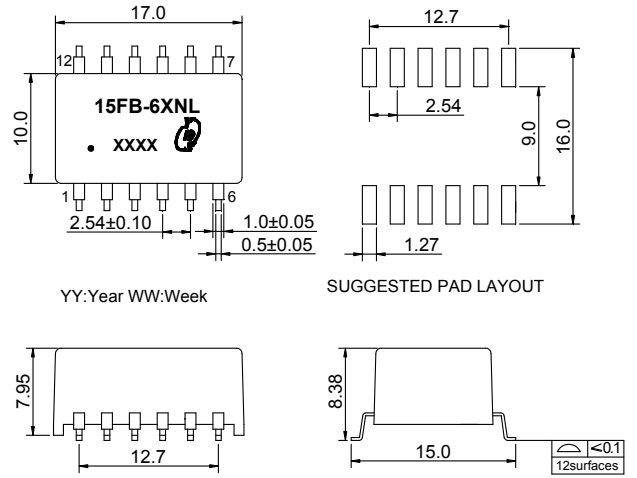
Rev: 3 2019/01/29

Mechanicals

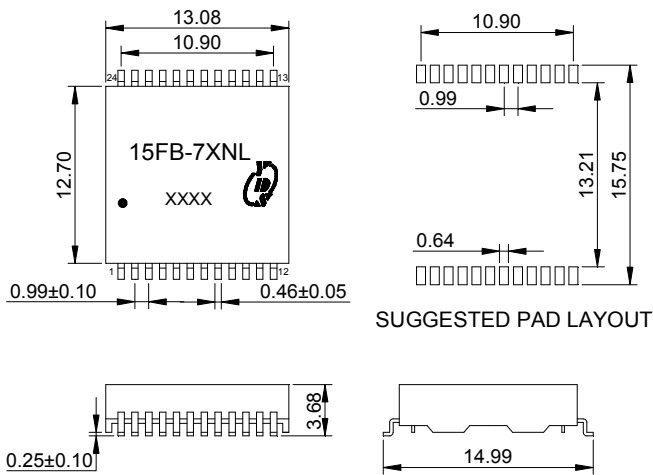
15FB-8X



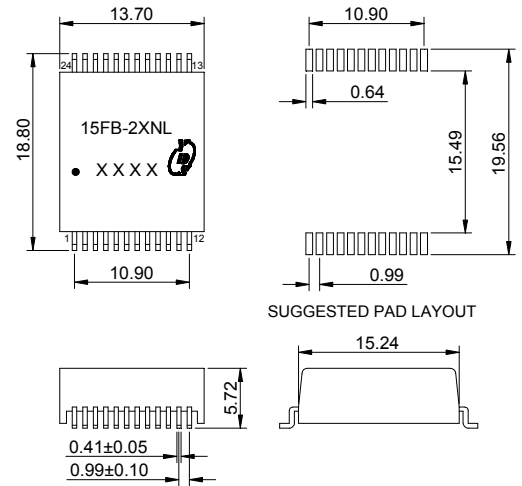
15FB-6X



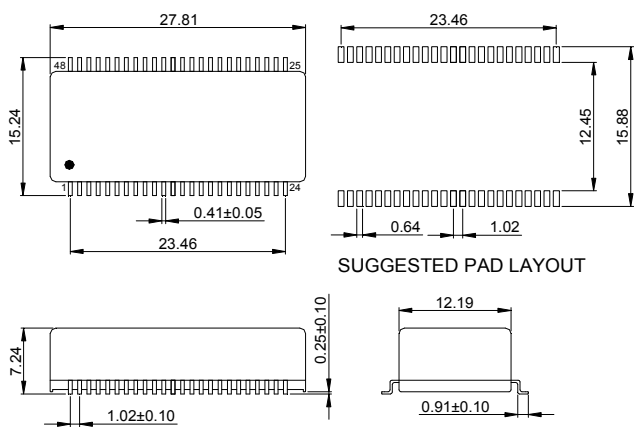
15FB-7X



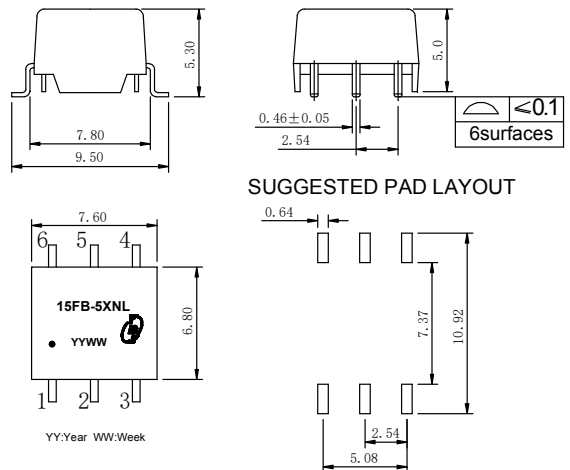
15FB-2X



15FB-4X

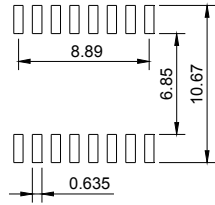
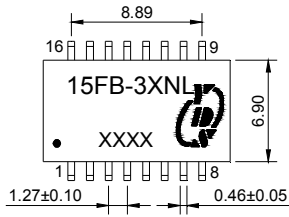


15FB-5X

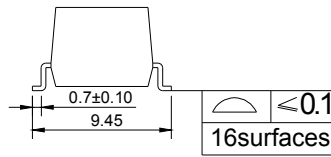
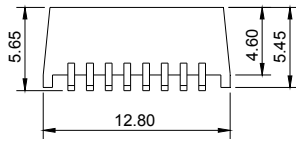


Mechanicals

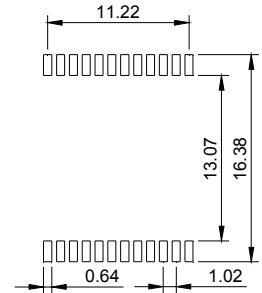
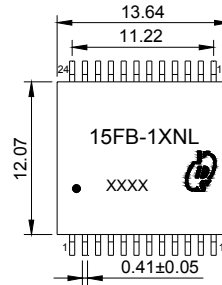
15FB-3X



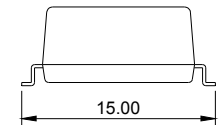
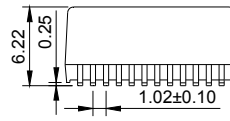
SUGGESTED PAD LAYOUT



15FB-1X

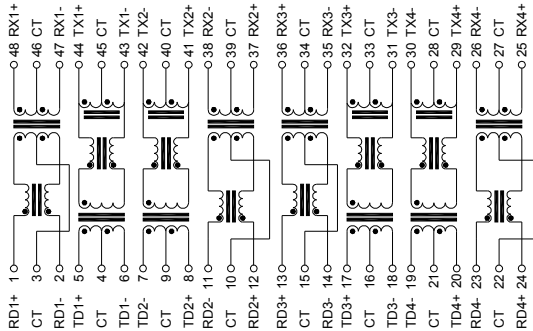


SUGGESTED PAD LAYOUT

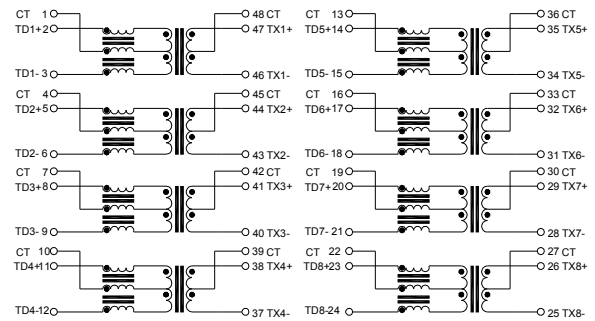


Schematics

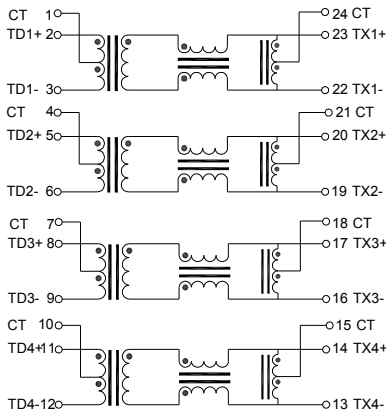
15FB-40



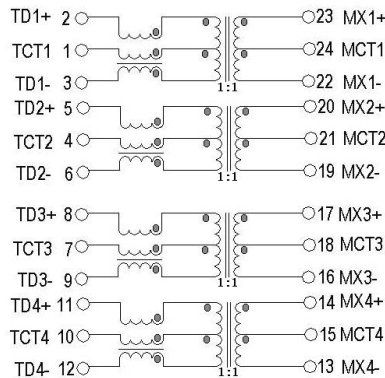
15FB-42



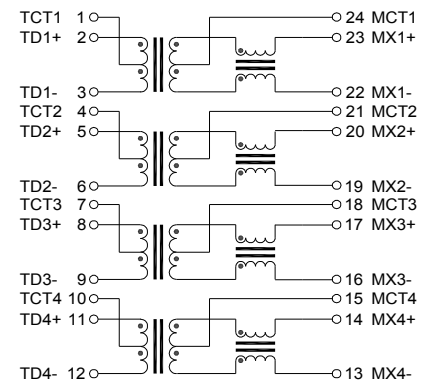
15FB-81



15FB-83

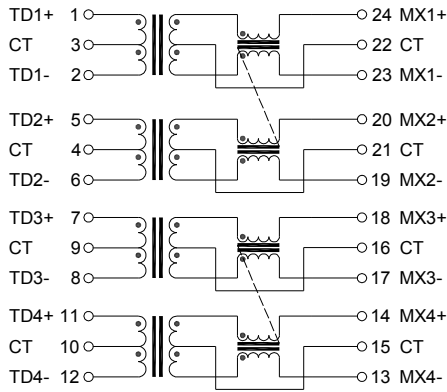


15FB-84

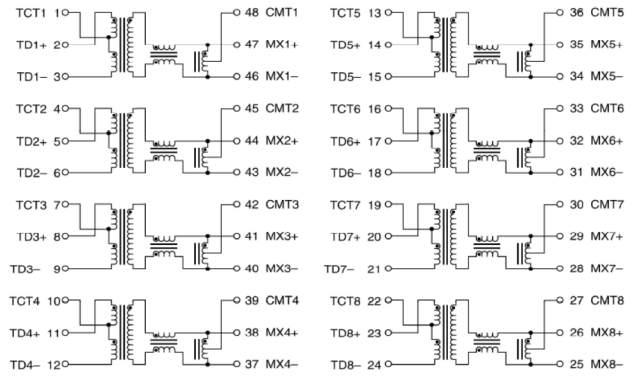


Schematics

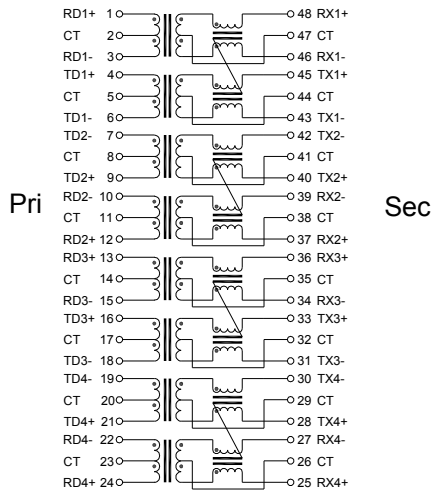
15FB-89



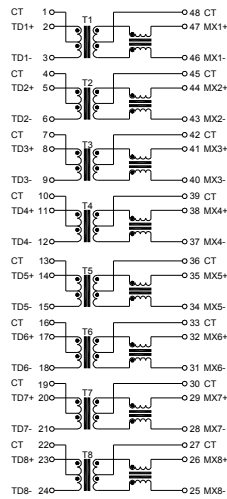
15FB-48



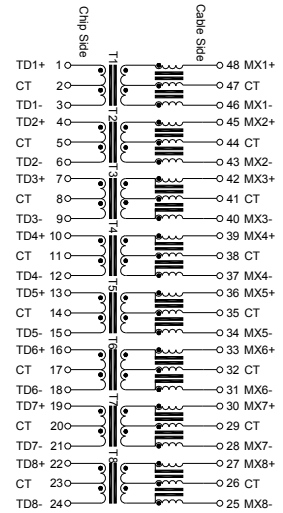
15FB-41



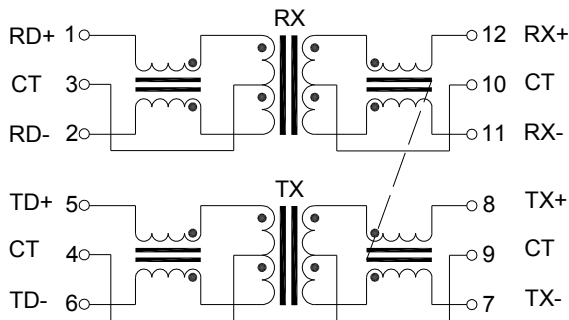
15FB-47



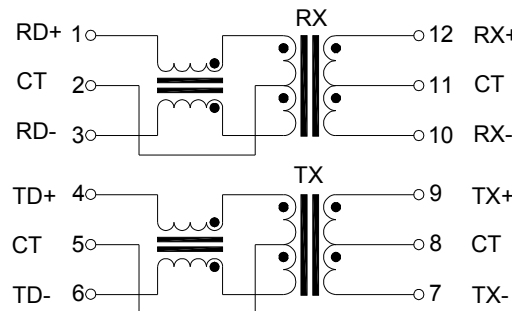
15FB-4G



15FB-60

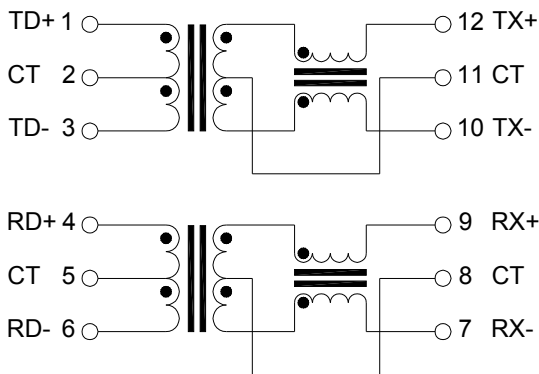


15FB-61

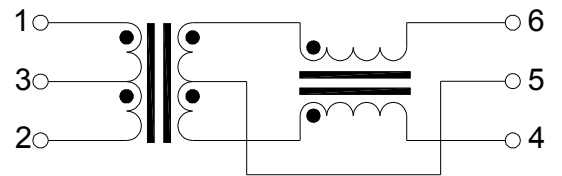


Schematics

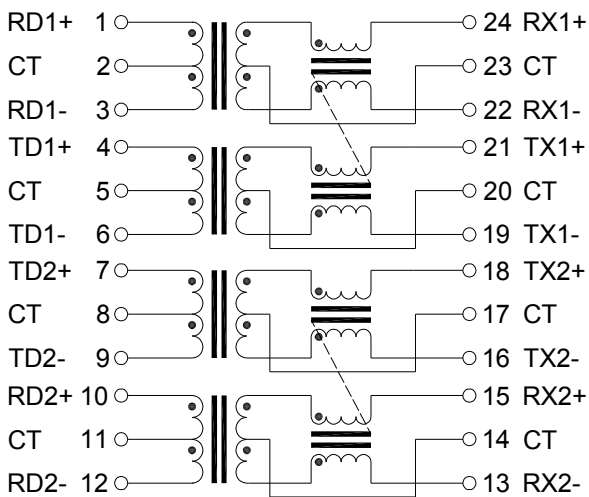
15FB-62



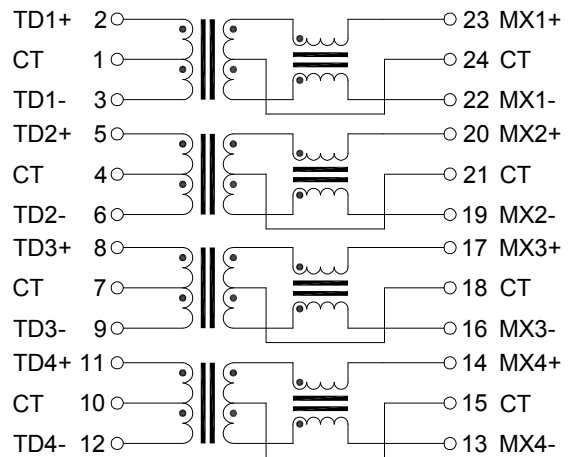
15FB-52



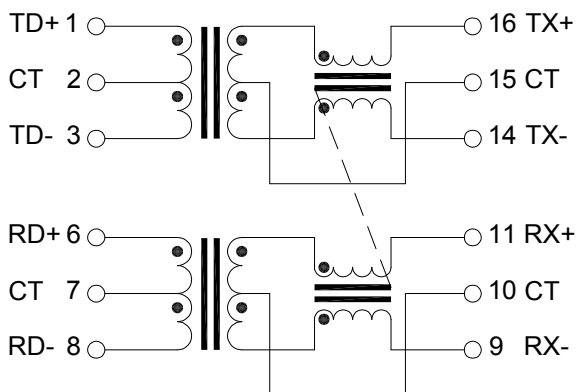
15FB-10



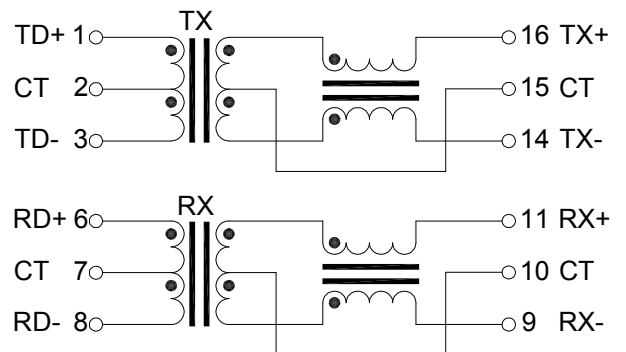
15FB-21



15FB-30

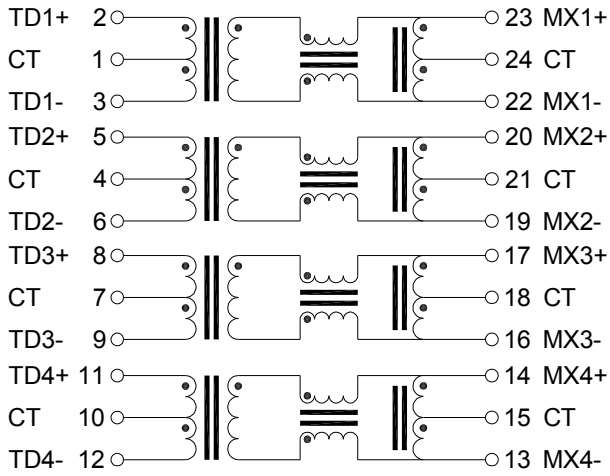


15FB-36



Schematics

15FB-72



15FB-73

